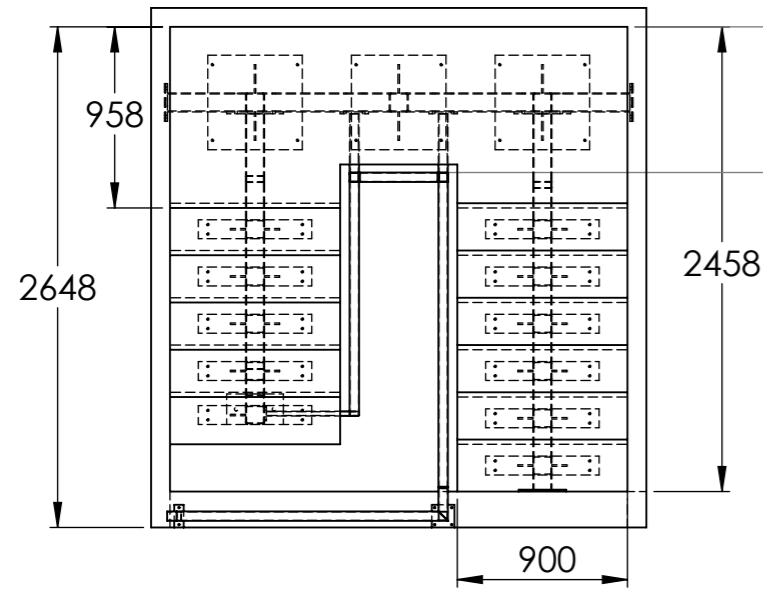
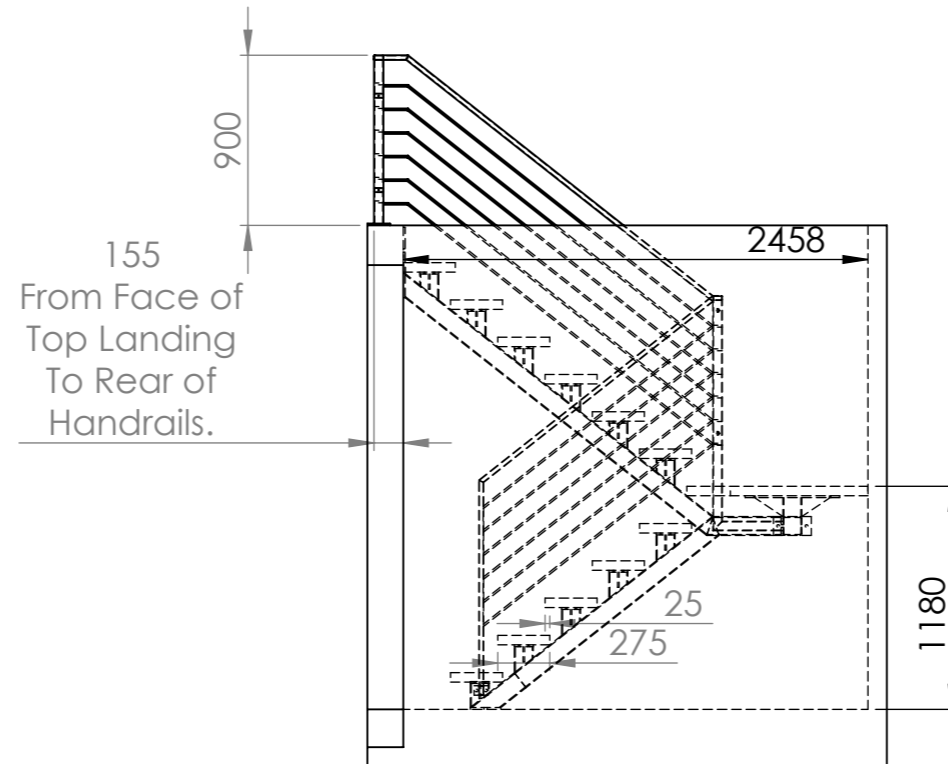
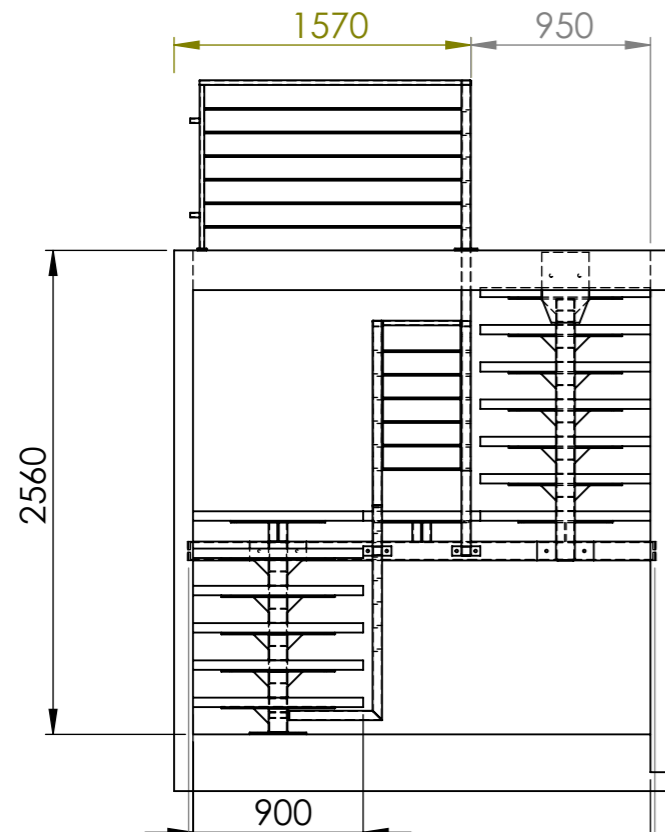
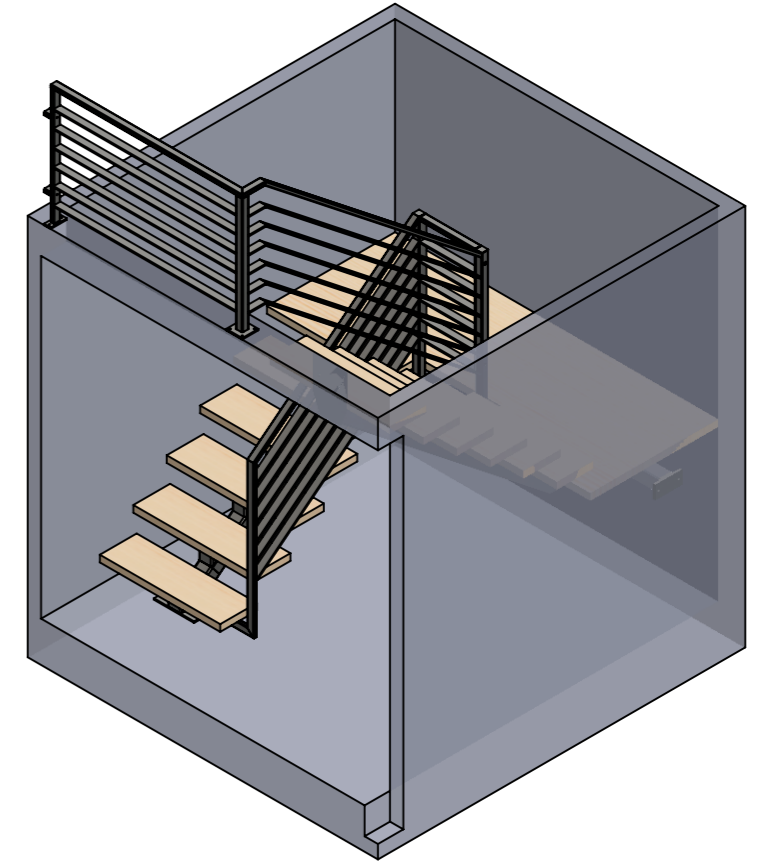



IF IN DOUBT ASK



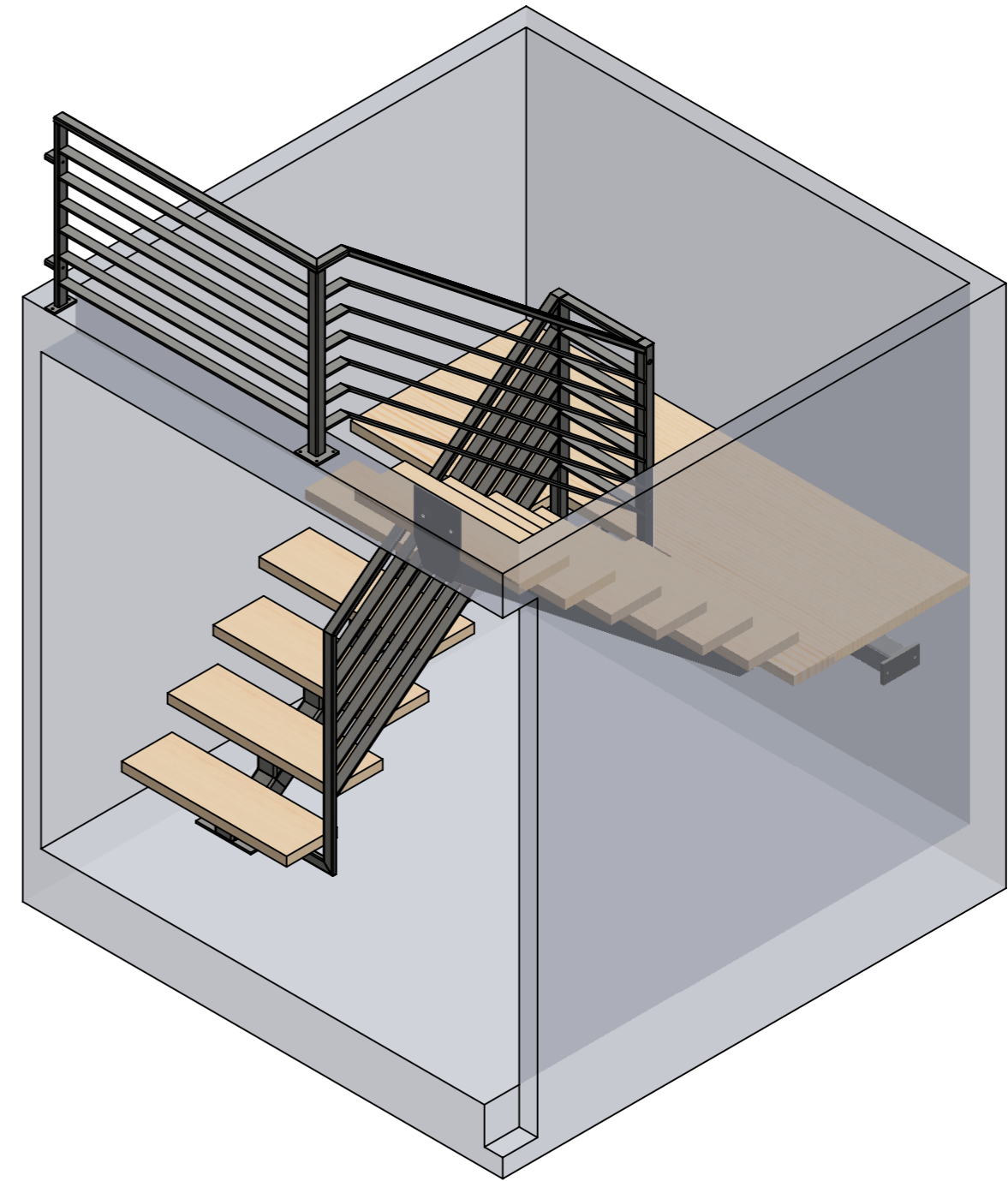
770.50
Gap between
end of handrails
and wall.




900
2420
O/A Width Inside Plaster
2466
O/A Width of landing
spine with 4 @ 3mm packers
supplied to ease install
and take up space
between plaster and
block wall.
Overall finished width with
with packers, 2478mm

Sheet Number	SHEET 1 OF 27	Approx Weight (Kg):	Revision:	
Cad Innovation Ltd.			Date:	
			Material:	
Designed/Drawn By	R Bennett	Qty:	N/A	
Date Drawn	20 September 2022	 CAD Innovation Ltd <small>Digitally Developing for the Engineered World</small>		
Finish	N/A			
Customer	David Morgan			
Project	Stair Set (23-8-22)			
Drawing	Stair Set			
Part Configuration	Default			

IF IN DOUBT ASK



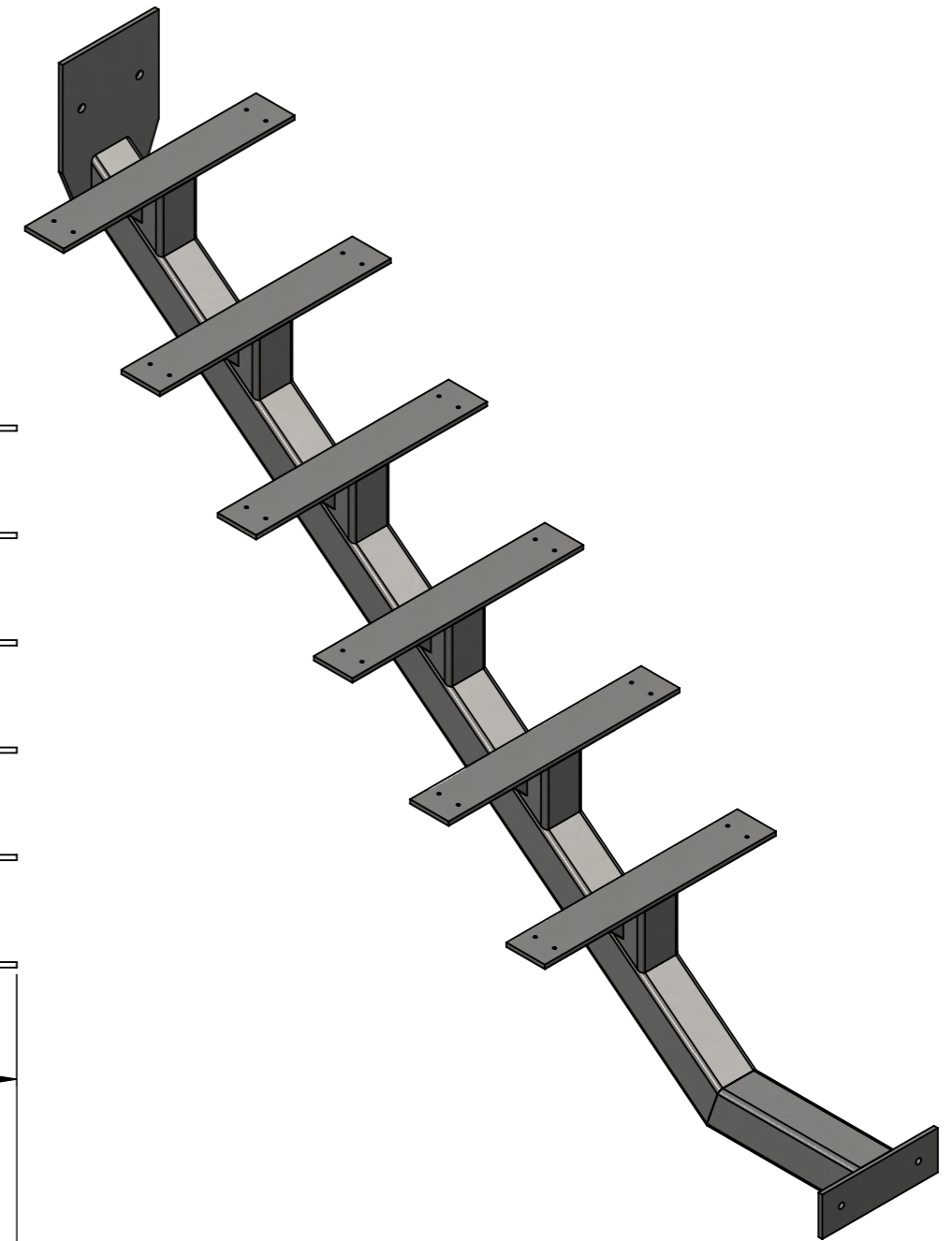
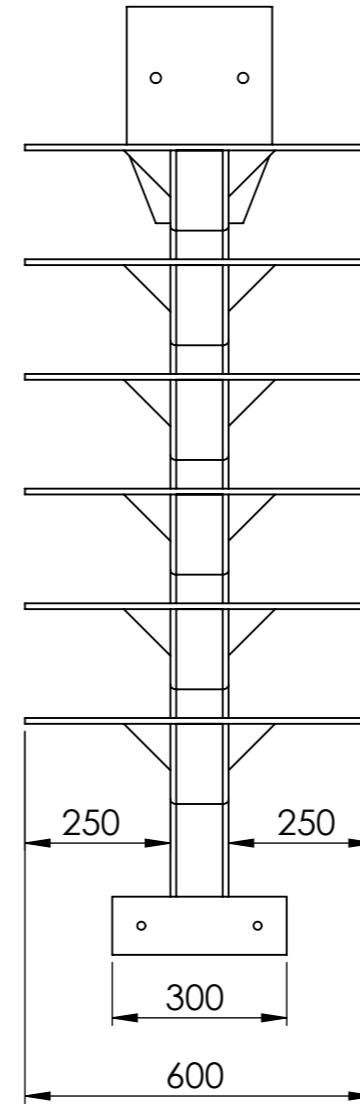
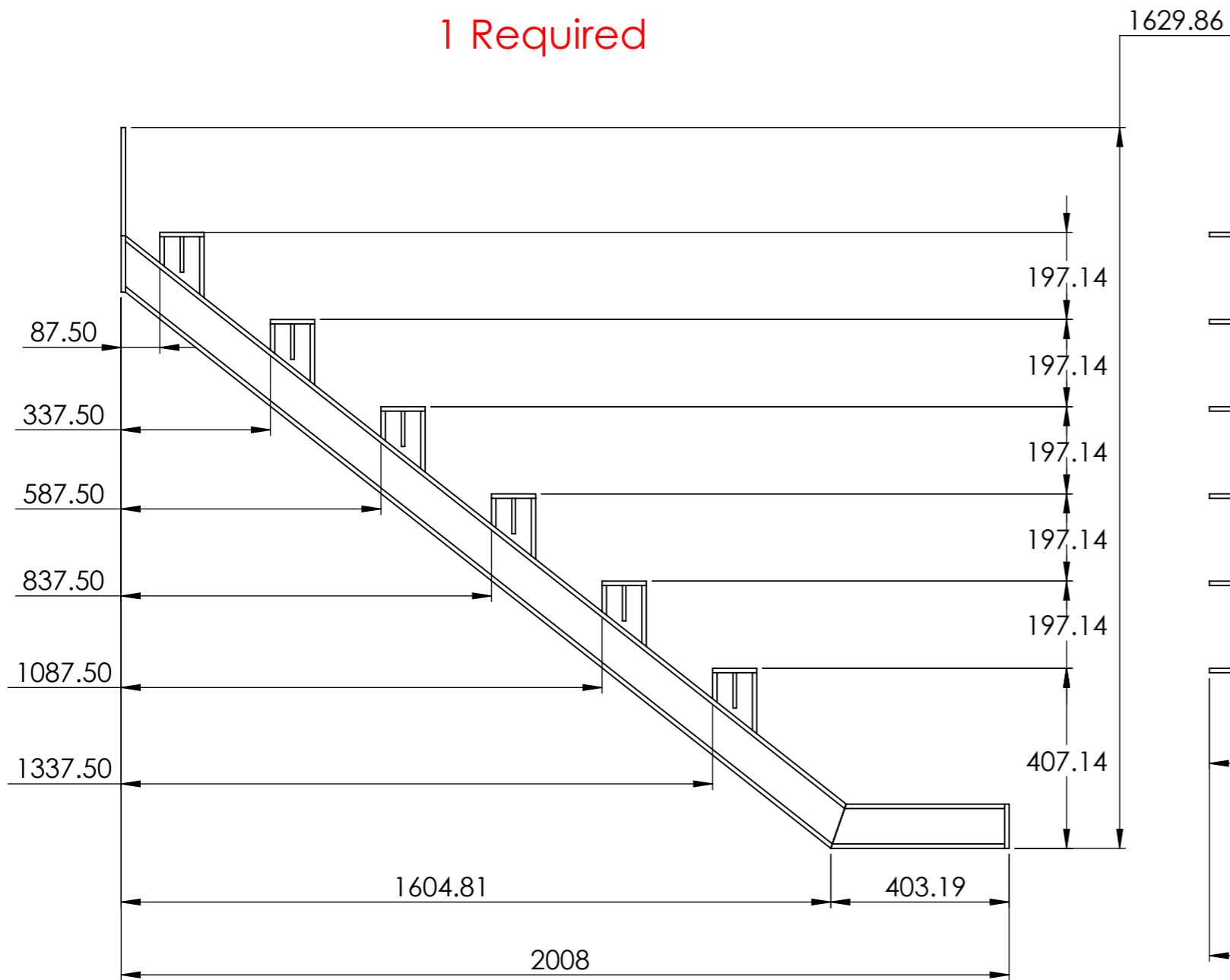
ITEM NO.	PART NUMBER	DESCRIPTION	QTY.
1		Top Spine Assembly	1
2		Landing Spine Assembly	1
3		Bottom Spine Assembly	1
4		Top Stair Tread	1
5		Standard Stair Tread	10
6		Landing Tread	1
7		Upper Flight Handrail	1
8		Landing Handrail	1
9		Lower Flight Handrail	1
10		3mm Spine Packer	4

Sheet Number	SHEET 2 OF 27	Approx Weight (Kg):		Revision:	
Cad Innovation Ltd.			Material:		
			Qty:	N/A	
Designed/Drawn By	R Bennett		 CAD Innovation Ltd <small>Digitally Developing for the Engineered World</small>		
Date Drawn	20 September 2022				
Finish	N/A				
Customer	David Morgan				
Project	Stair Set (23-8-22)				
Drawing	Stair Set				
Part Configuration	Default				

All rights retained. Drawing, design and contents not to be used, transmitted or manufactured from without written permission from Cad Innovation Ltd.

IF IN DOUBT ASK

1 Required

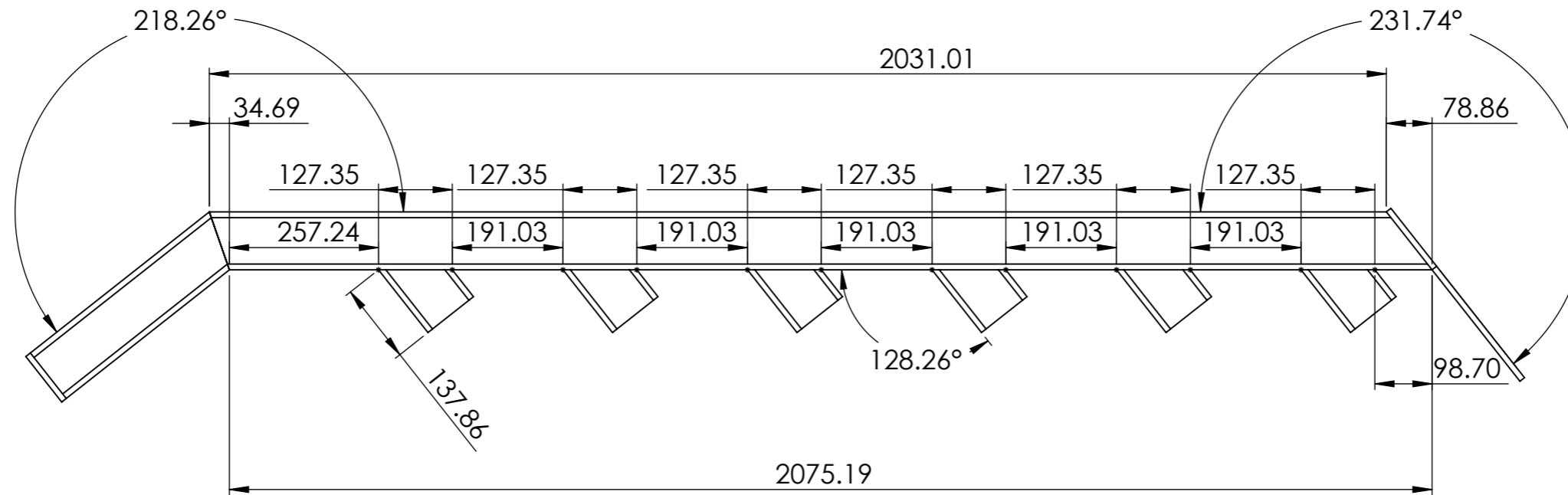


ITEM NO.	PART NUMBER	DESCRIPTION	QTY.
1	Top Spine		1
2	Standard Tread Mount Plate		6
3	Stair Tread Gusset		12

Sheet Number	SHEET 3 OF 27	Approx Weight (Kg):		Revision:	
<h2 style="color: red;">Cad Innovation Ltd.</h2>			Material:		Date:
			Qty:	N/A	
Designed/Drawn By	R Bennett				
Date Drawn	20 September 2022				
Finish	N/A				
Customer	David Morgan				
Project	Stair Set (23-8-22)				
Drawing	Top Spine Assembly				
Part Configuration	Default				



IF IN DOUBT ASK



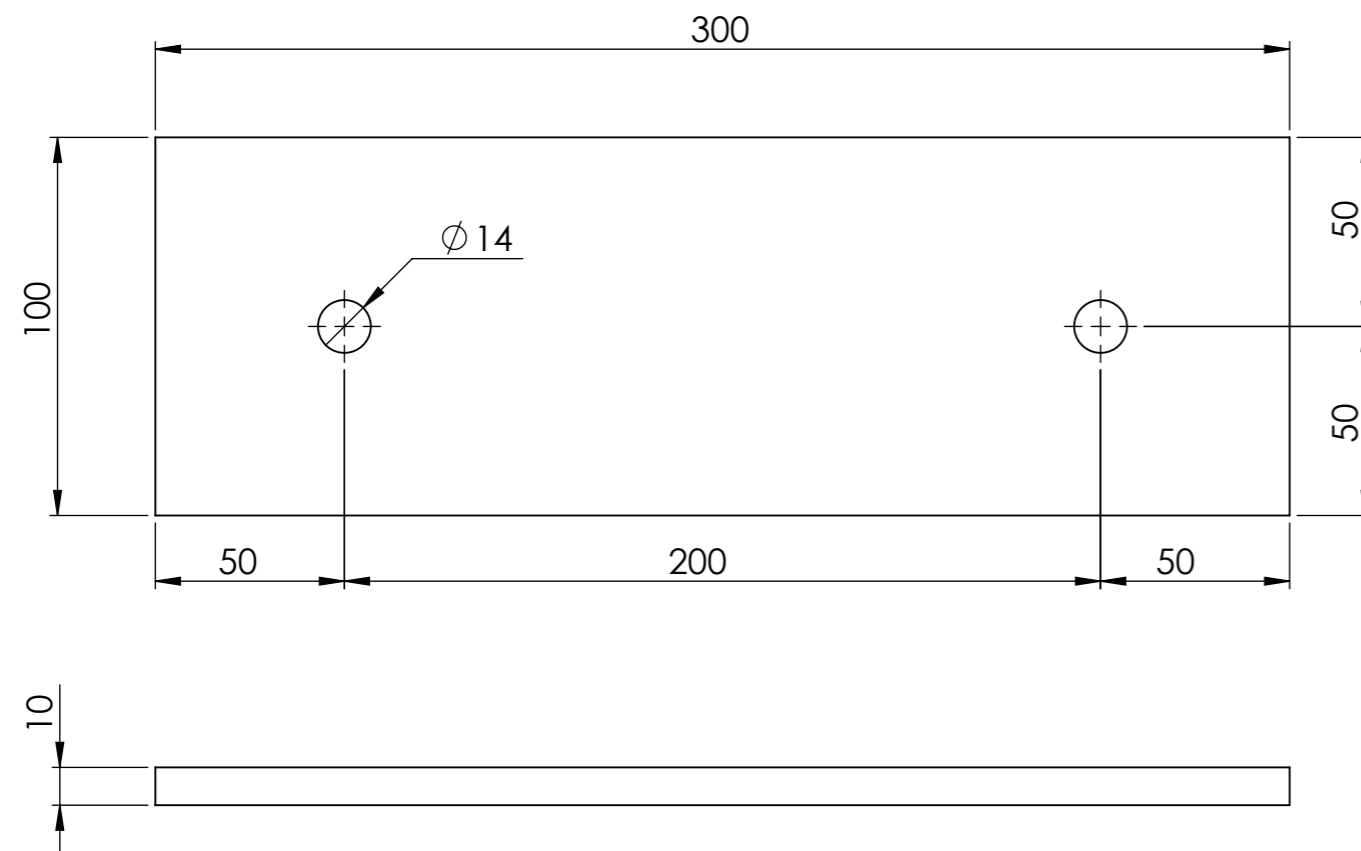
1 Required

ITEM NO.	QTY.	DESCRIPTION	LENGTH
1	1	SHS100x100x5	2109.87
2	1	SHS100x100x5	393.19
3	6	SHS100x100x5	137.86
4	1	Top Spine Bottom Plate	
5	1	Top Spine Top Plate	

Sheet Number	SHEET 4 OF 27	Approx Weight (Kg):		Revision:	
Cad Innovation Ltd.			Material:	Plain Carbon Steel	
			Qty:	N/A	
Designed/Drawn By	R Bennett				
Date Drawn	20 September 2022				
Finish	N/A				
Customer	David Morgan				
Project	Stair Set (23-8-22)				
Drawing	Top Spine				
Part Configuration	Default<As Machined>				



IF IN DOUBT ASK

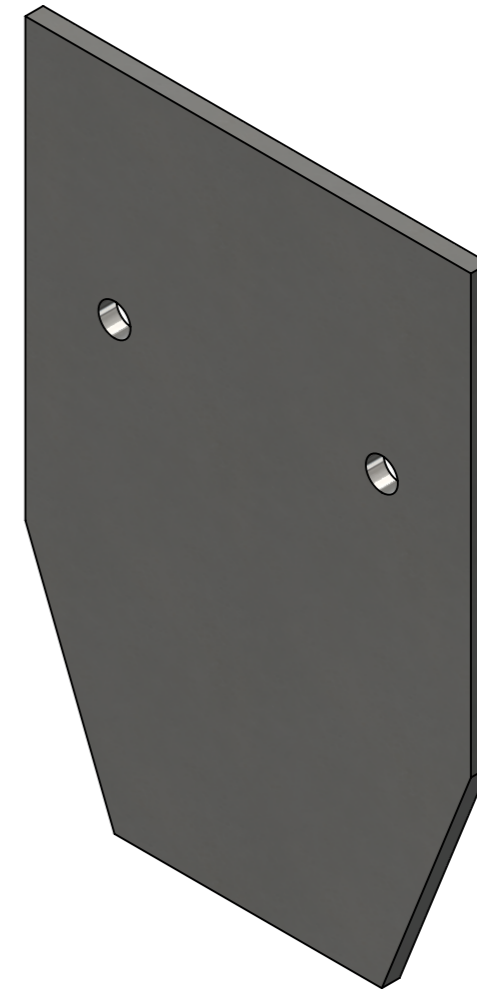
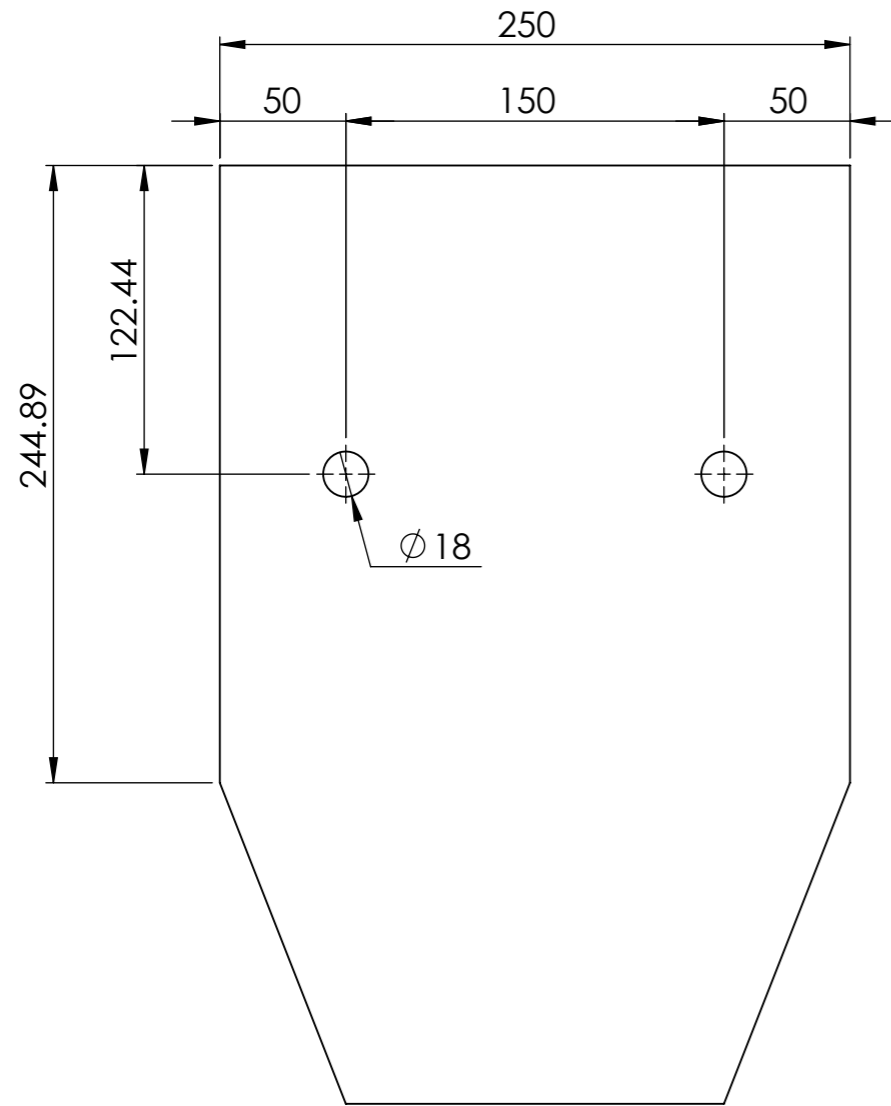


1 Required

Sheet Number	SHEET 5 OF 27	Approx Weight (Kg):		Revision:	
Cad Innovation Ltd.			Material:	Plain Carbon Steel	
			Qty:	N/A	
Designed/Drawn By	R Bennett				
Date Drawn	20 September 2022				
Finish	N/A				
Customer	David Morgan				
Project	Stair Set (23-8-22)				
Drawing	Top Spine Bottom Plate				
Part Configuration	Default				



IF IN DOUBT ASK

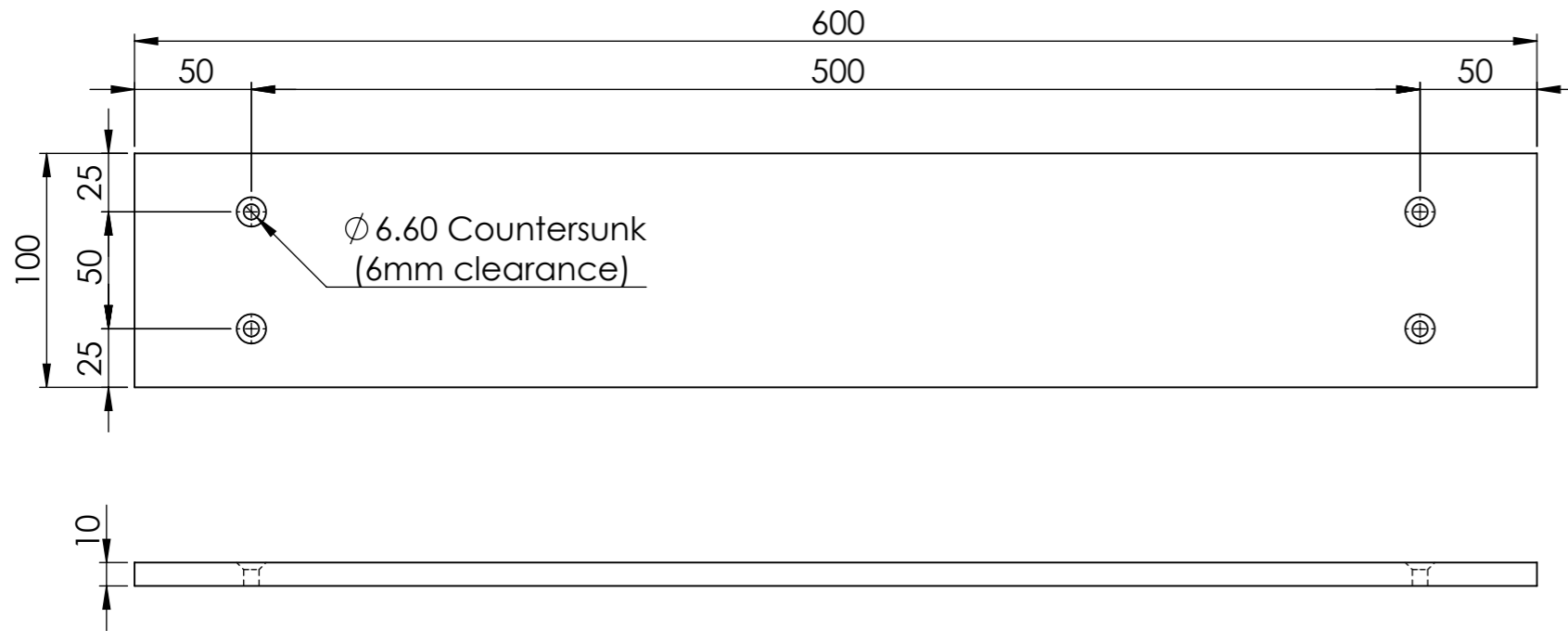
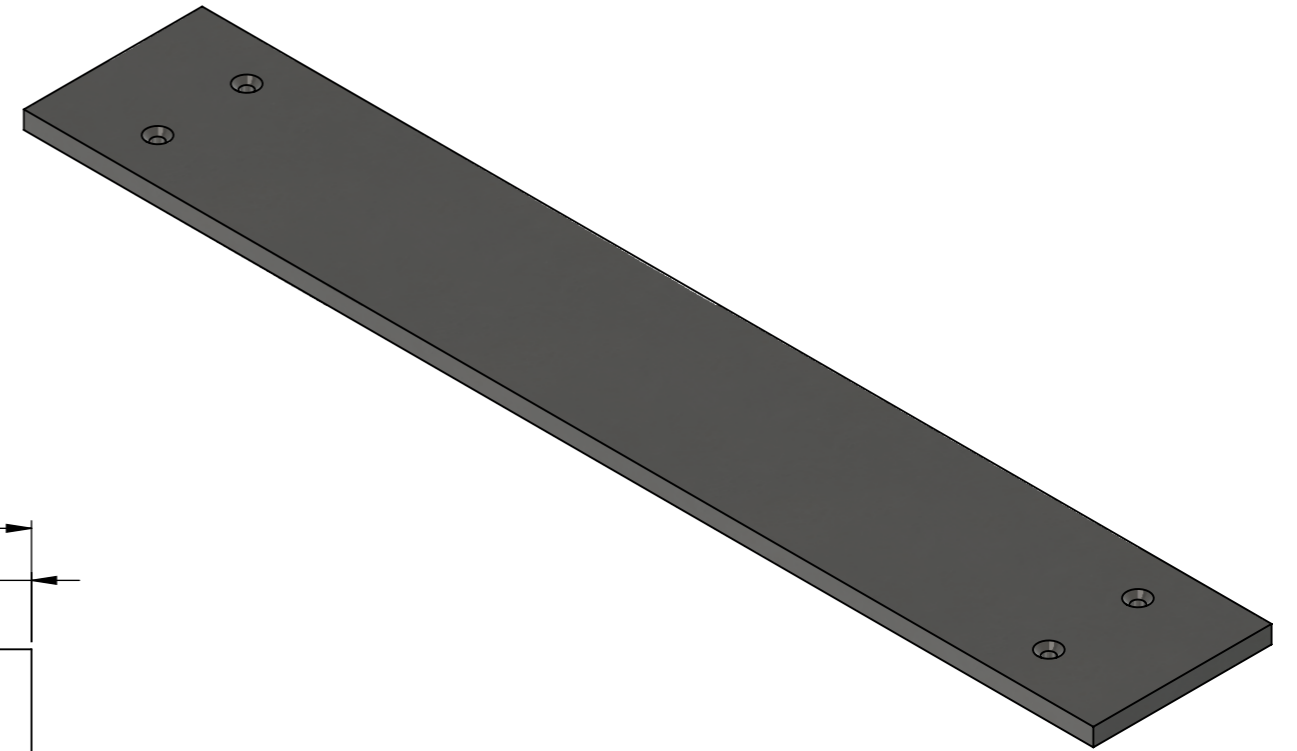


1 Required

Sheet Number	SHEET 6 OF 27	Approx Weight (Kg):		Revision:	
Cad Innovation Ltd.			Material:	Plain Carbon Steel	
			Qty:	N/A	
Designed/Drawn By	R Bennett				
Date Drawn	20 September 2022				
Finish	N/A				
Customer	David Morgan				
Project	Stair Set (23-8-22)				
Drawing	Top Spine Top Plate				
Part Configuration	Default				



IF IN DOUBT ASK

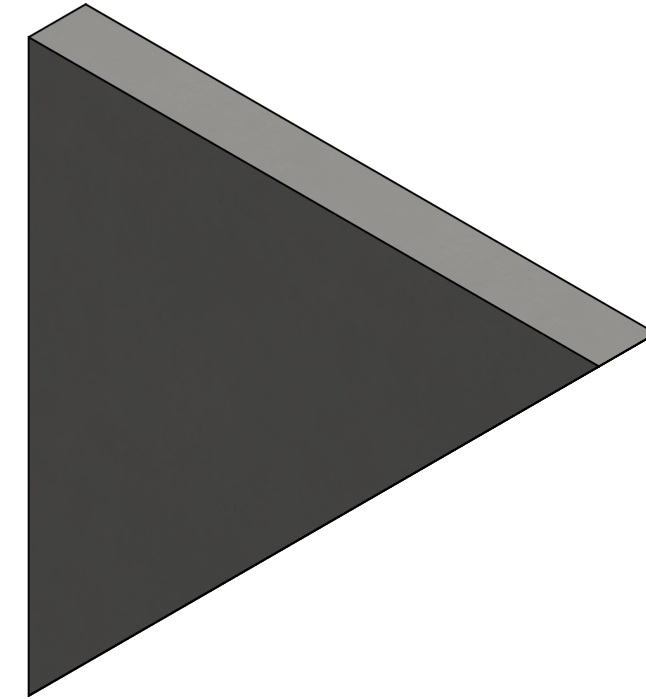
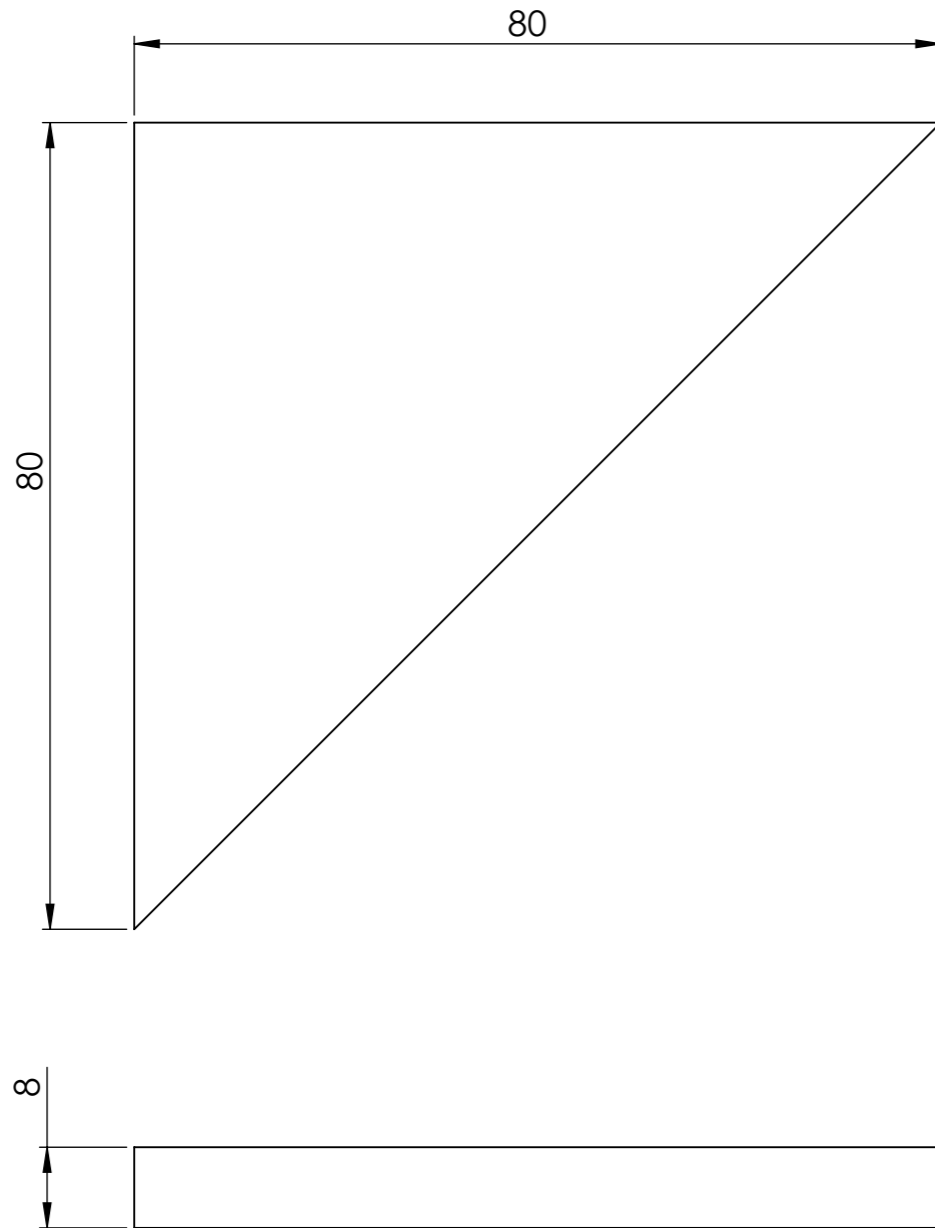


12 Required

Sheet Number		SHEET 7 OF 27	Approx Weight (Kg):		Revision:	
Cad Innovation Ltd.					Date:	
			Material:	Plain Carbon Steel		
			Qty:	N/A		
Designed/Drawn By	R Bennett					
Date Drawn	20 September 2022					
Finish	N/A					
Customer	David Morgan					
Project	Stair Set (23-8-22)					
Drawing	Standard Tread Mount Plate					
Part Configuration	Default					



IF IN DOUBT ASK



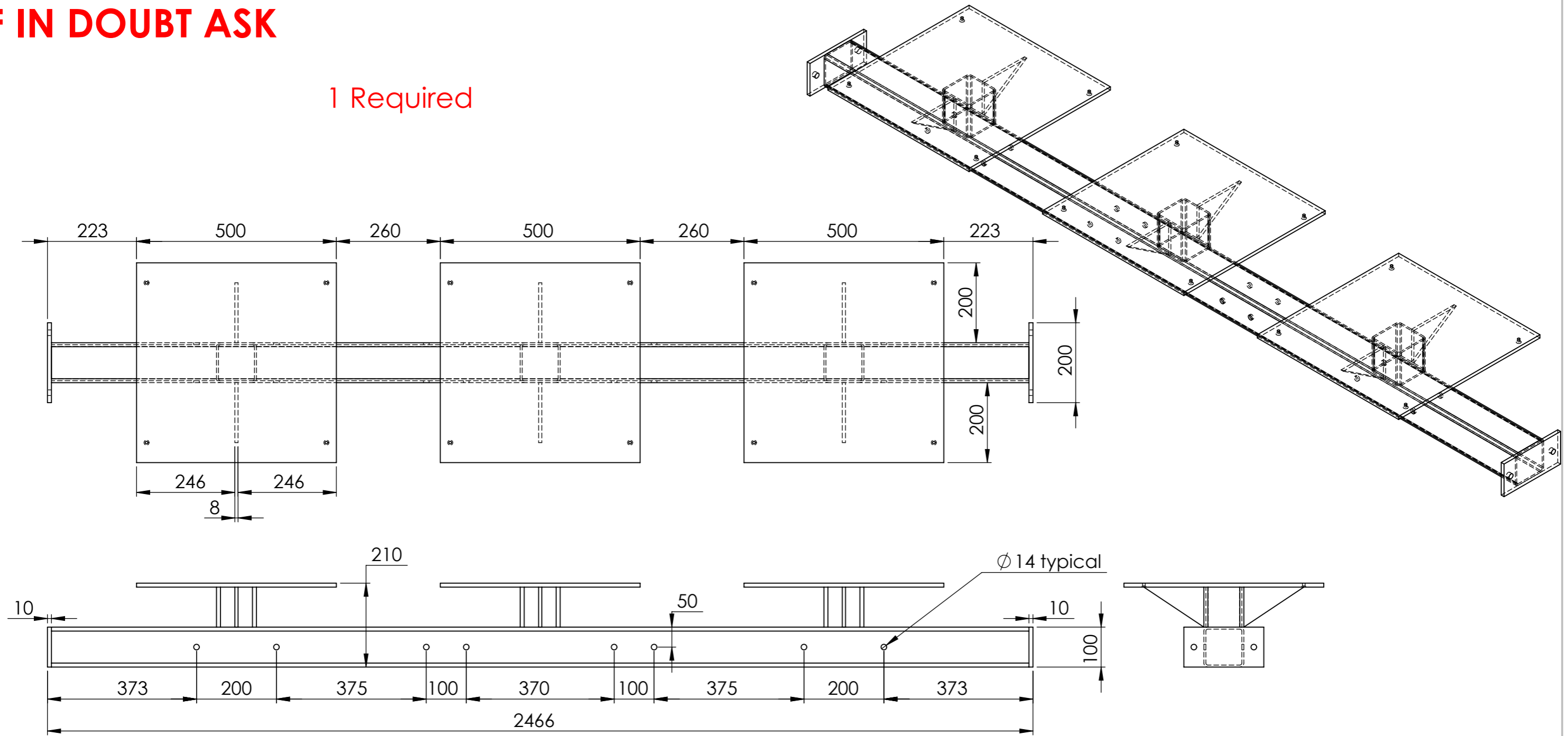
24 Required

Sheet Number		SHEET 8 OF 27	Approx Weight (Kg):			Revision:	
Material:		Cad Innovation Ltd.				Plain Carbon Steel	
Qty:						N/A	
Designed/Drawn By	R Bennett						
Date Drawn	20 September 2022						
Finish	N/A						
Customer	David Morgan						
Project	Stair Set (23-8-22)						
Drawing	Stair Tread Gusset						
Part Configuration	Default						




IF IN DOUBT ASK

1 Required



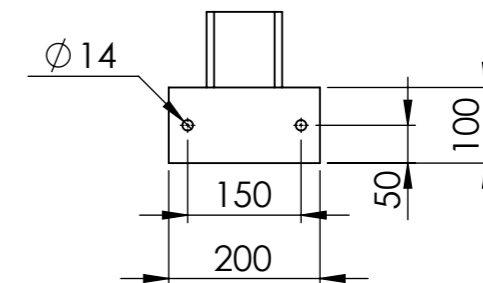
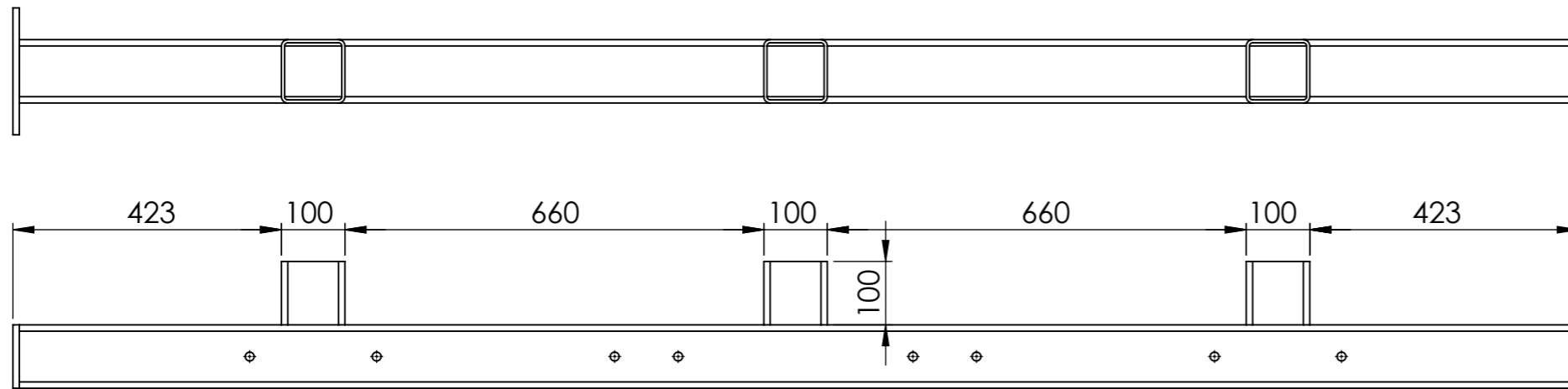
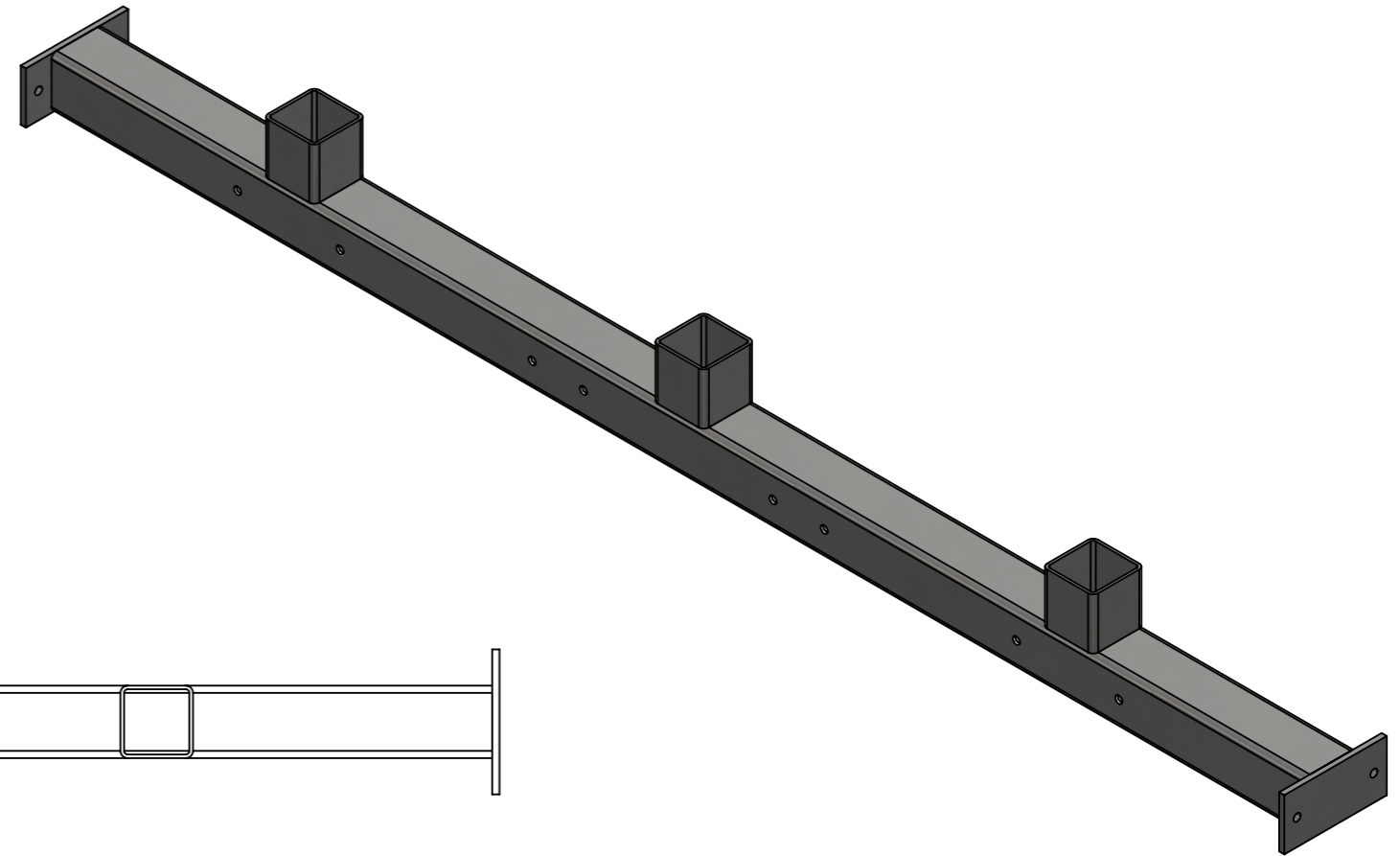
ITEM NO.	PART NUMBER	DESCRIPTION	QTY.
1		Landing Spine	1
2		Landing Tread Mount Plate	3
3		Mid Landing Plate Gusset	6

Sheet Number	SHEET 9 OF 27	Approx Weight (Kg):		Revision:	
Cad Innovation Ltd.			Material:		Date:
			Qty:	N/A	
Designed/Drawn By	R Bennett		 CAD Innovation Ltd <small>Digitally Developing for the Engineered World</small>		
Date Drawn	20 September 2022				
Finish	N/A				
Customer	David Morgan				
Project	Stair Set (23-8-22)				
Drawing	Landing Spine Assembly				
Part Configuration	Default				

All rights retained. Drawing, design and contents not to be used, transmitted or manufactured from without written permission from Cad Innovation Ltd.

IF IN DOUBT ASK

1 Required



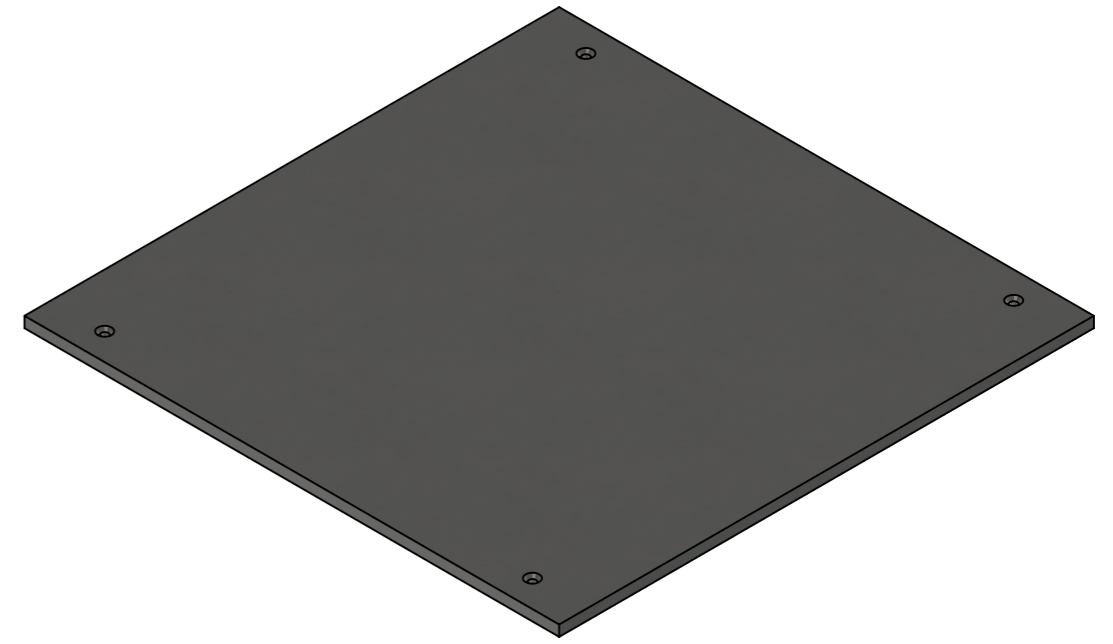
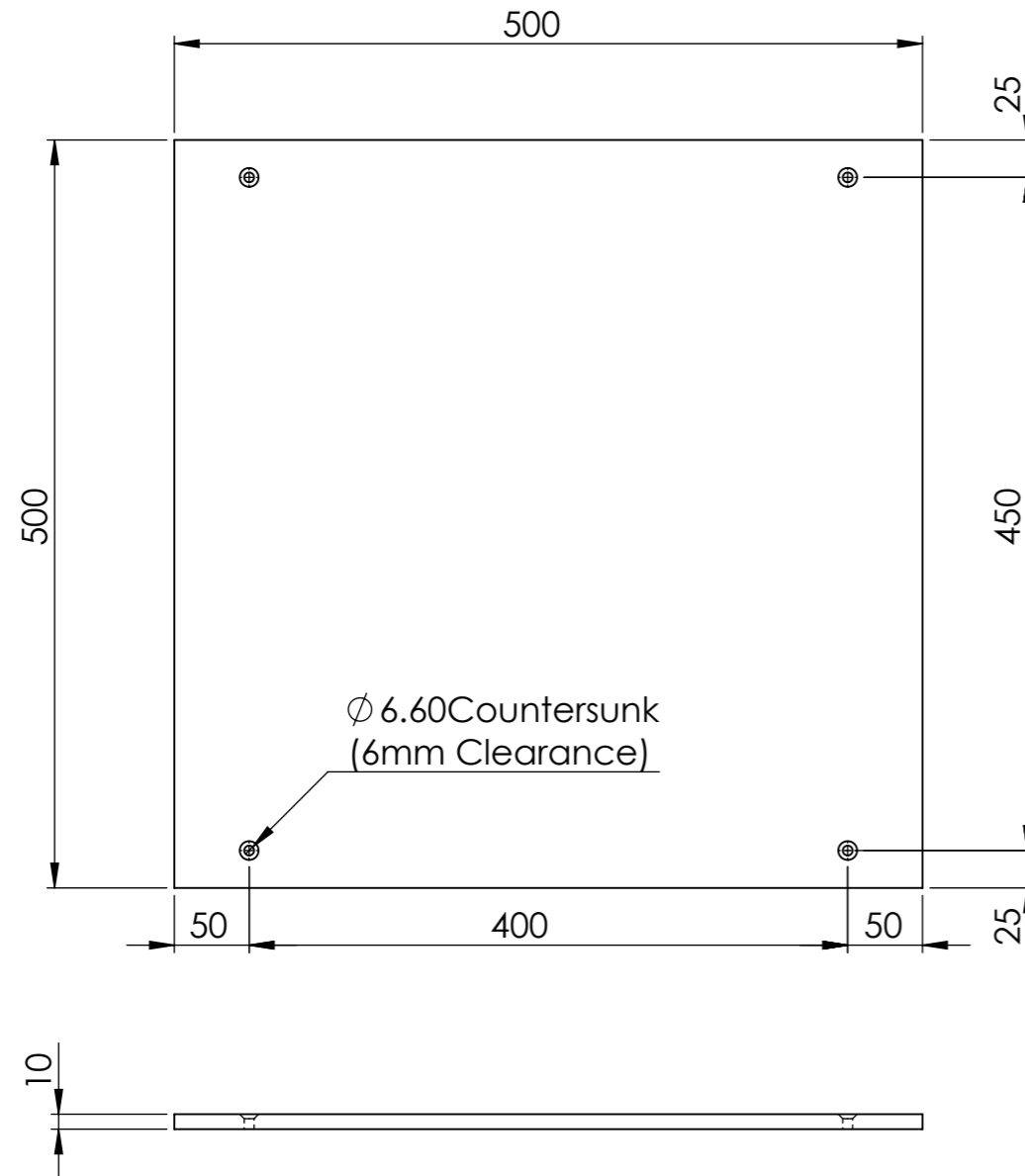
ITEM NO.	QTY.	DESCRIPTION	LENGTH
1	1	SHS100x100x5	2446
2	2	200mm * 100mm * 10mm End Plate	
3	3	SHS100x100x5	100

Sheet Number	SHEET 10 OF 27	Approx Weight (Kg):		Revision:	
Cad Innovation Ltd.			Material:	Plain Carbon Steel	
			Qty:	N/A	
Designed/Drawn By	R Bennett				
Date Drawn	20 September 2022				
Finish	N/A				
Customer	David Morgan				
Project	Stair Set (23-8-22)				
Drawing	Landing Spine				
Part Configuration	Default<As Machined>				




All rights retained. Drawing, design and contents not to be used, transmitted or manufactured from without written permission from Cad Innovation Ltd.

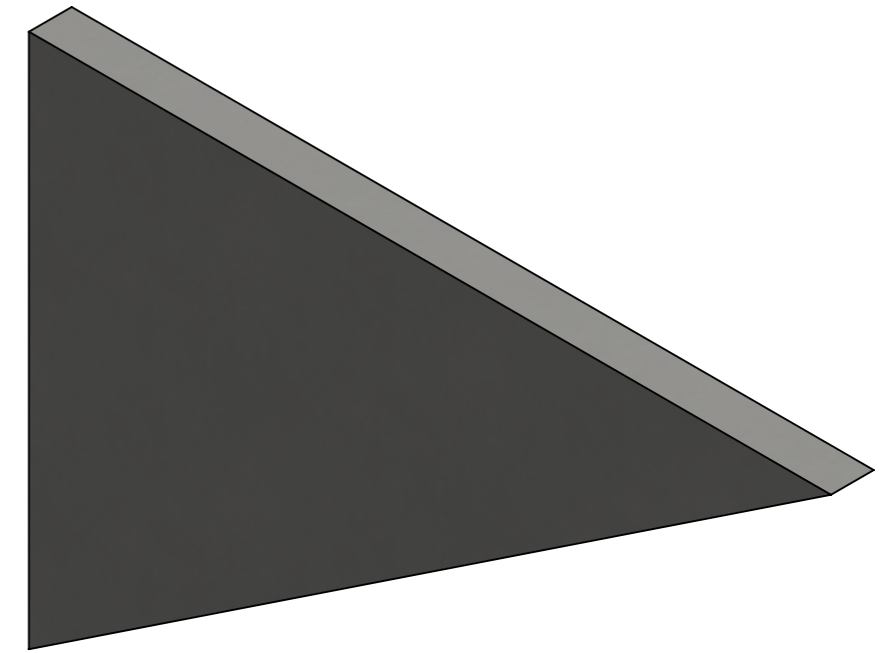
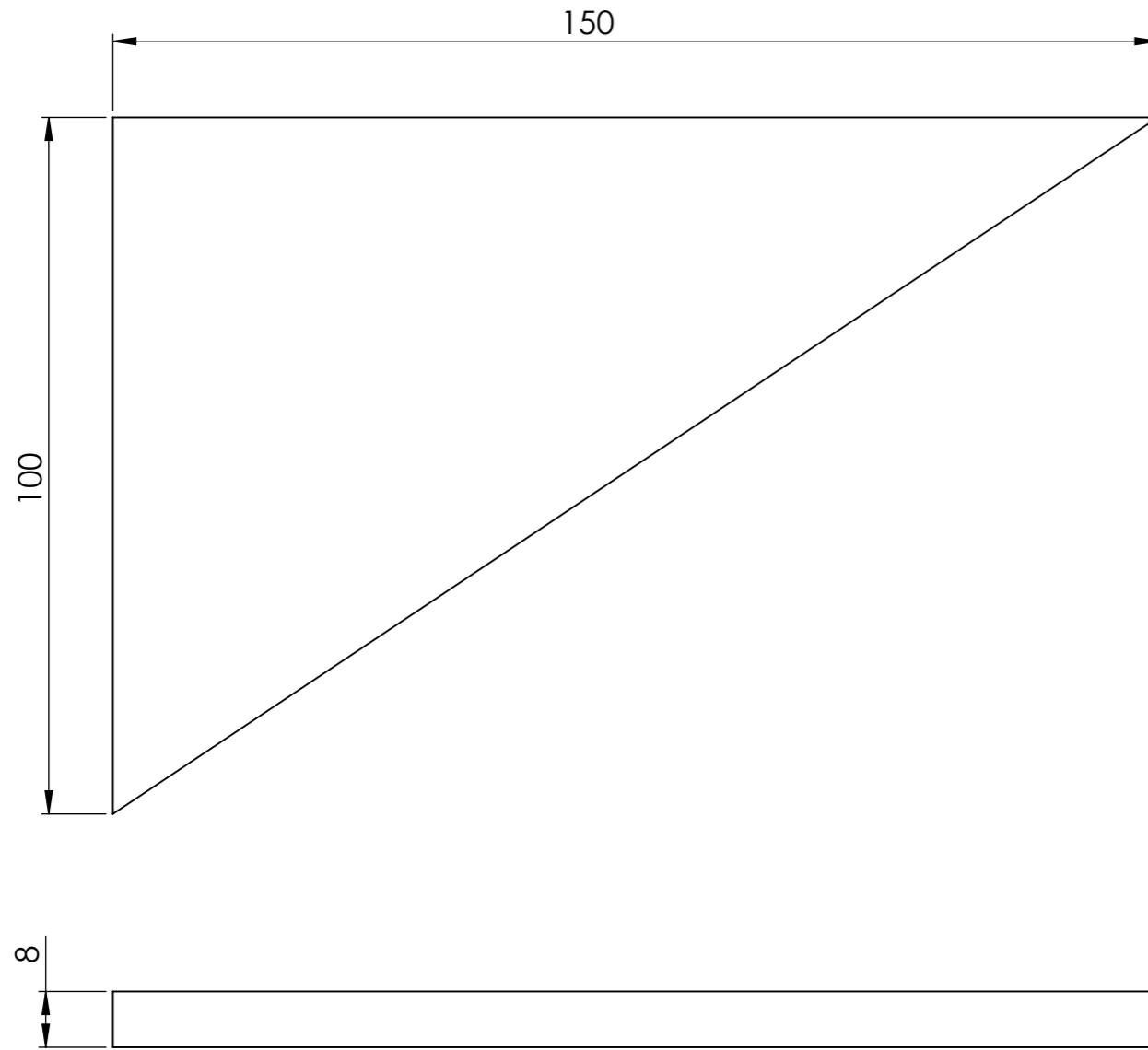
IF IN DOUBT ASK




3 Required

Sheet Number		SHEET 11 OF 27	Approx Weight (Kg):		Revision:	
Date Drawn		20 September 2022	Material:		Date:	
Finish		N/A	Qty:		Plain Carbon Steel	
Customer		David Morgan	N/A			
Project		Stair Set (23-8-22)	 CAD Innovation Ltd <small>Digitally Developing for the Engineered World</small>			
Drawing		Landing Tread Mount Plate				
Part Configuration		Default				

IF IN DOUBT ASK

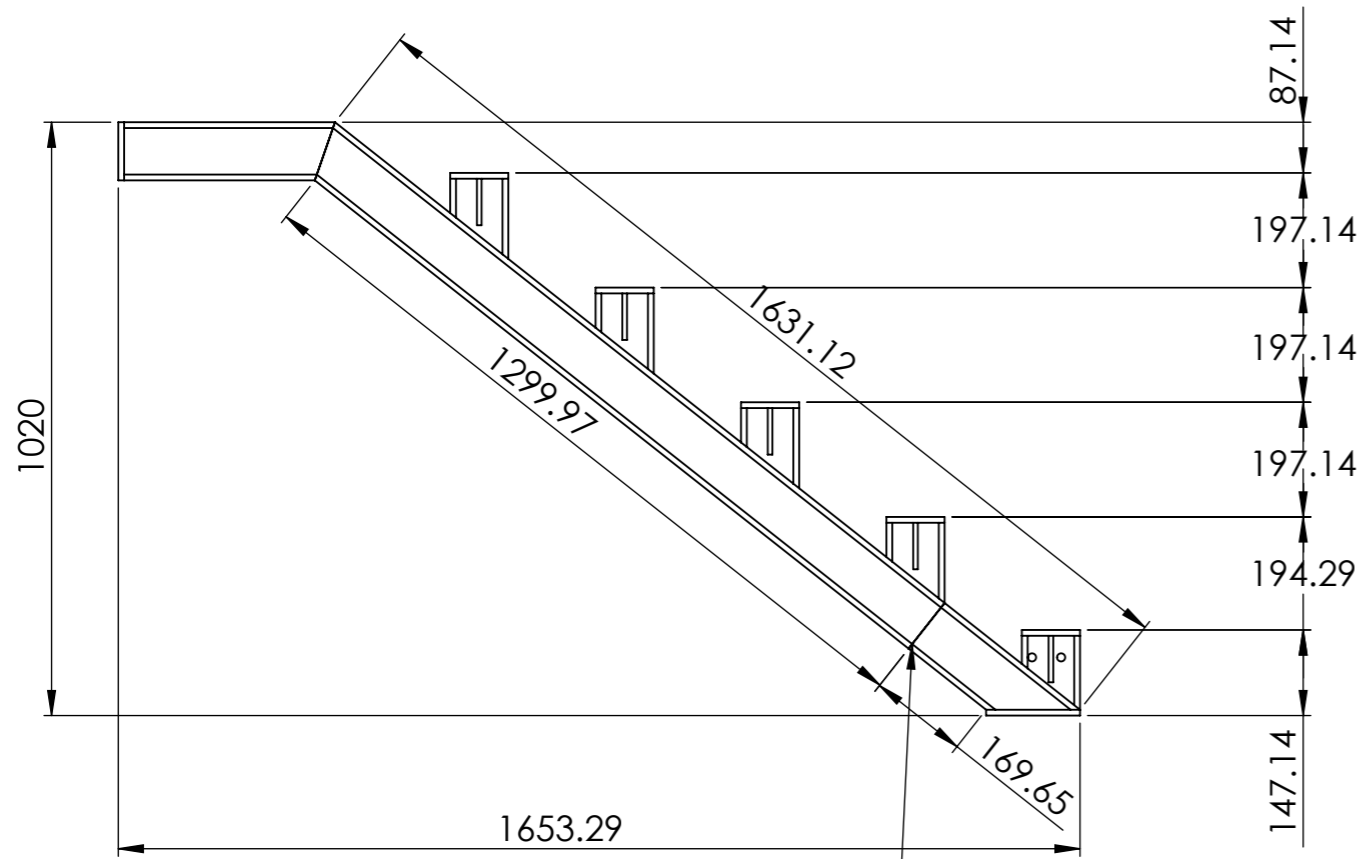


6 Required

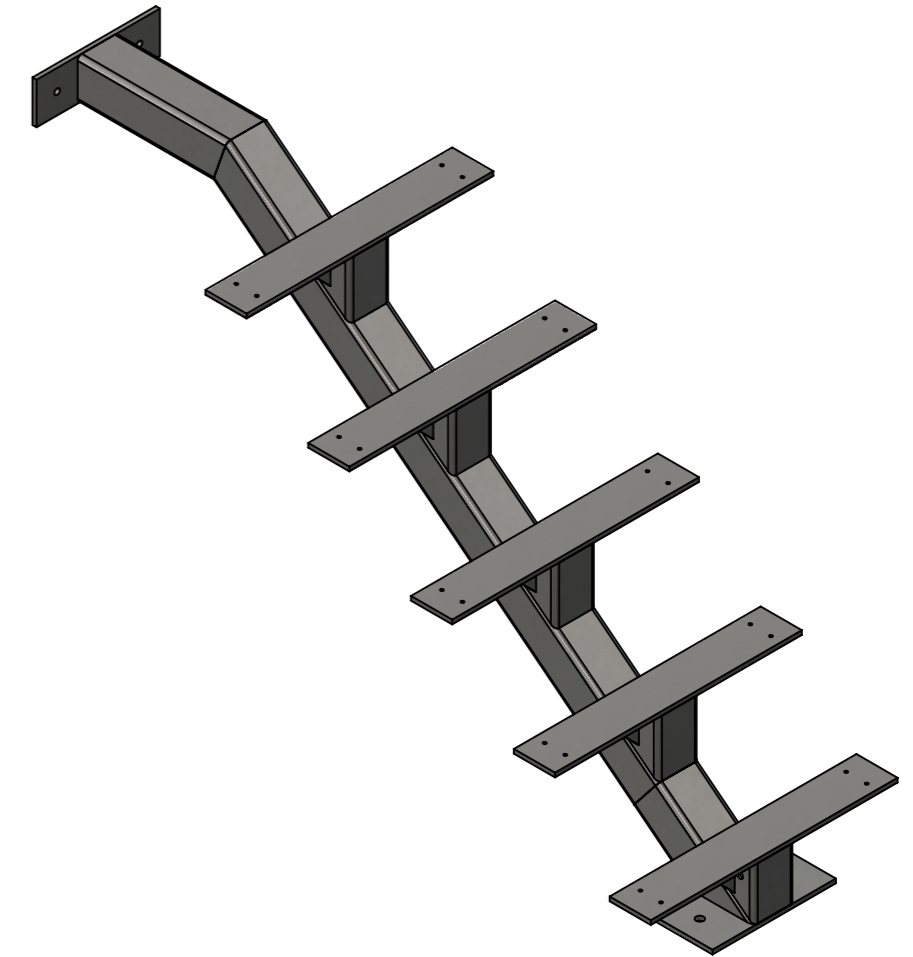
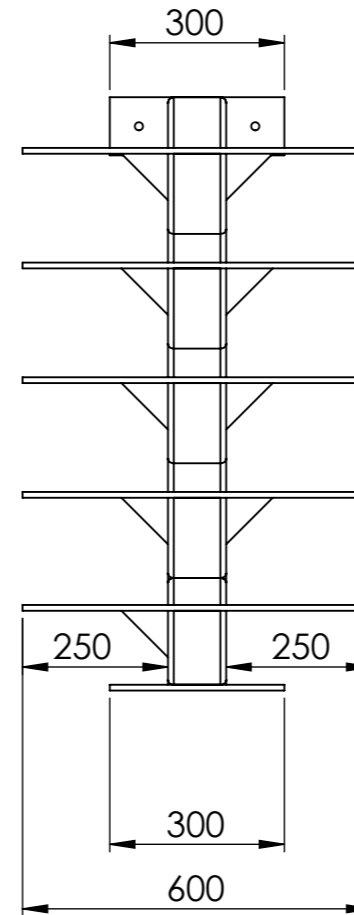
Sheet Number		SHEET 12 OF 27	Approx Weight (Kg):			Revision:	
Date Drawn		20 September 2022	Material:		Plain Carbon Steel	Date:	
Finish		N/A	Qty:		N/A		
Designed/Drawn By	R Bennett		 <p>CAD Innovation Ltd Digitally Developing for the Engineered World</p>				
Date Drawn	20 September 2022						
Finish	N/A						
Customer	David Morgan						
Project	Stair Set (23-8-22)						
Drawing	Mid Landing Plate Gusset						
Part Configuration	Default						

IF IN DOUBT ASK


1 Required



Cut section out of spine and rejoin with flush dressed welding.



ITEM NO.	PART NUMBER	DESCRIPTION	QTY.
1	Bottom Spine		1
2	Standard Tread Mount Plate		5
3	Stair Tread Gusset		9

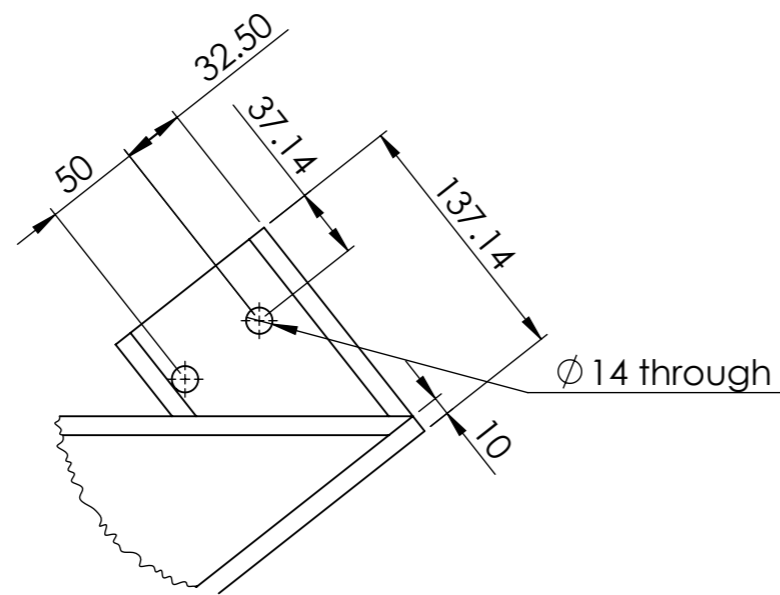
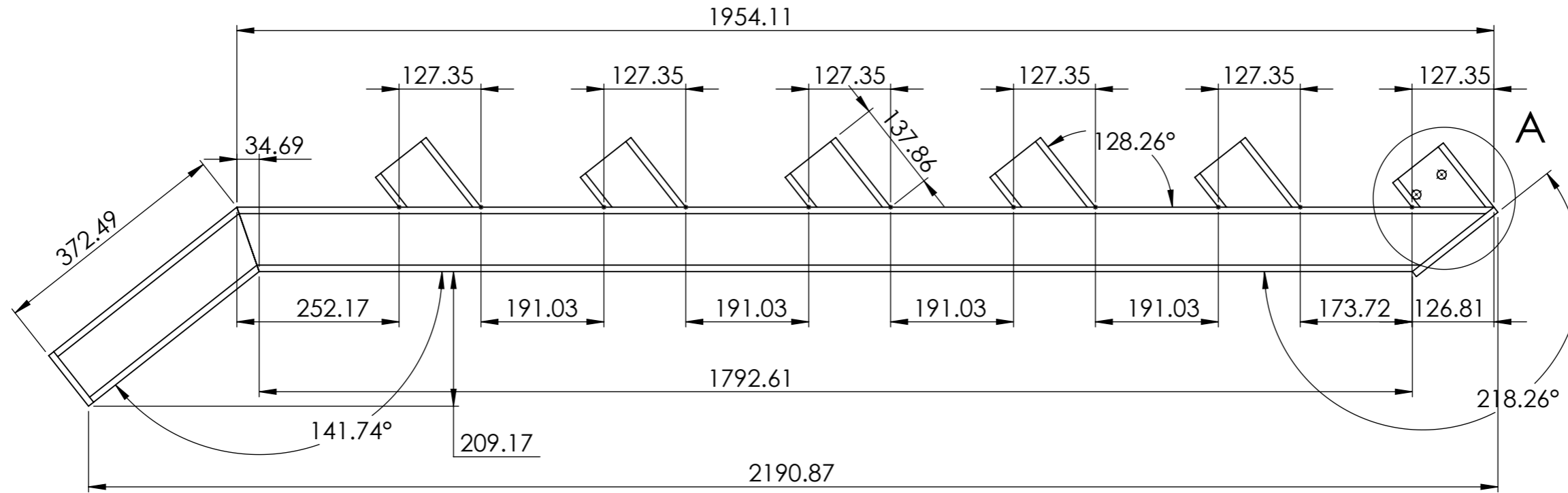
Sheet Number	SHEET 13 OF 27	Approx Weight (Kg):		Revision:	
Cad Innovation Ltd.			Material:		Date:
			Qty:	N/A	
Designed/Drawn By	R Bennett		 CAD Innovation Ltd <small>Digitally Developing for the Engineered World</small>		
Date Drawn	20 September 2022				
Finish	N/A				
Customer	David Morgan				
Project	Stair Set (23-8-22)				
Drawing	Bottom Spine Assembly				
Part Configuration	Default				

All rights retained. Drawing, design and contents not to be used, transmitted or manufactured from without written permission from Cad Innovation Ltd.

IF IN DOUBT ASK

1 Required

ITEM NO.	QTY.	DESCRIPTION	LENGTH
1	1	SHS100x100x5	1954.11
2	1	SHS100x100x5	362.49
3	1	SHS100x100x5	127.14
4	5	SHS100x100x5	137.86
5	1	Bottom Spine Top Plate	
6	1	Bottom Spine Bottom Plate	



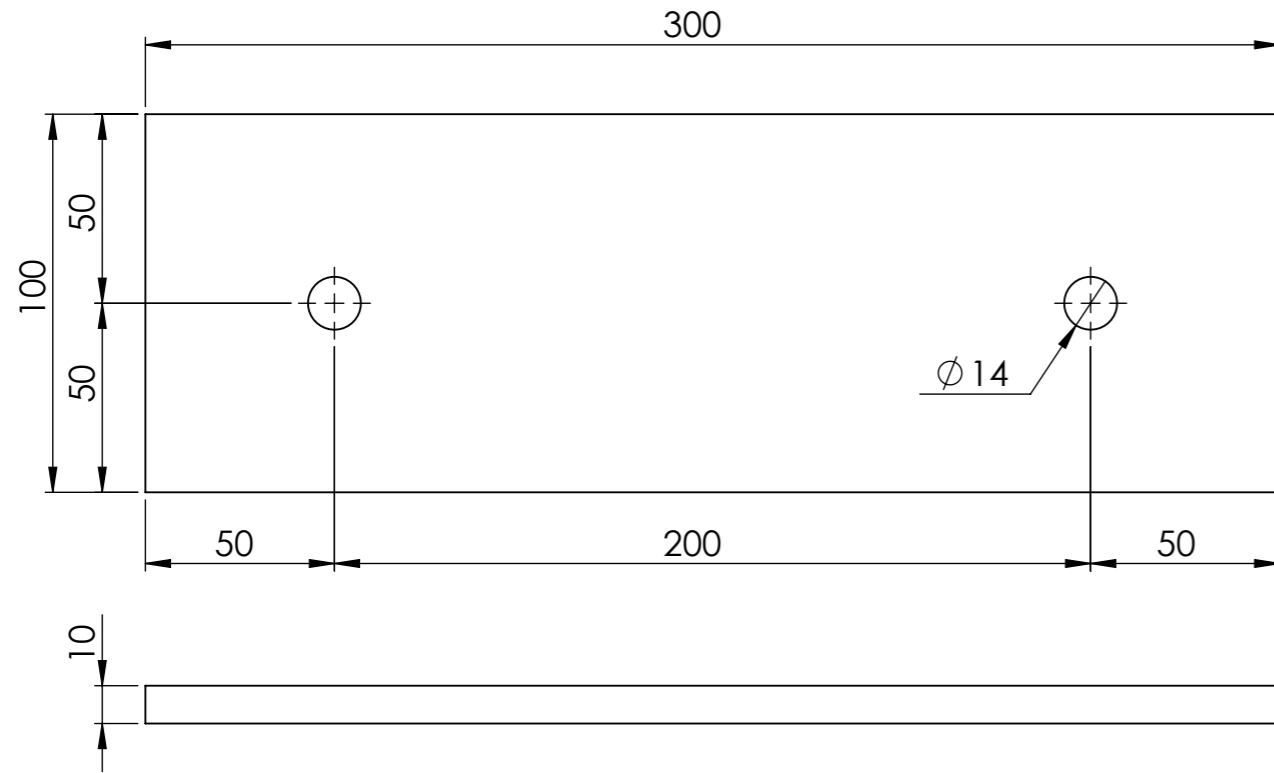
DETAIL A

SCALE 1 : 4

Sheet Number	SHEET 14 OF 27	Approx Weight (Kg):		Revision:	
Cad Innovation Ltd.			Material:	Plain Carbon Steel	
			Qty:	N/A	
Designed/Drawn By	R Bennett				
Date Drawn	20 September 2022				
Finish	N/A				
Customer	David Morgan				
Project	Stair Set (23-8-22)				
Drawing	Bottom Spine				
Part Configuration	Default<As Machined>				




IF IN DOUBT ASK



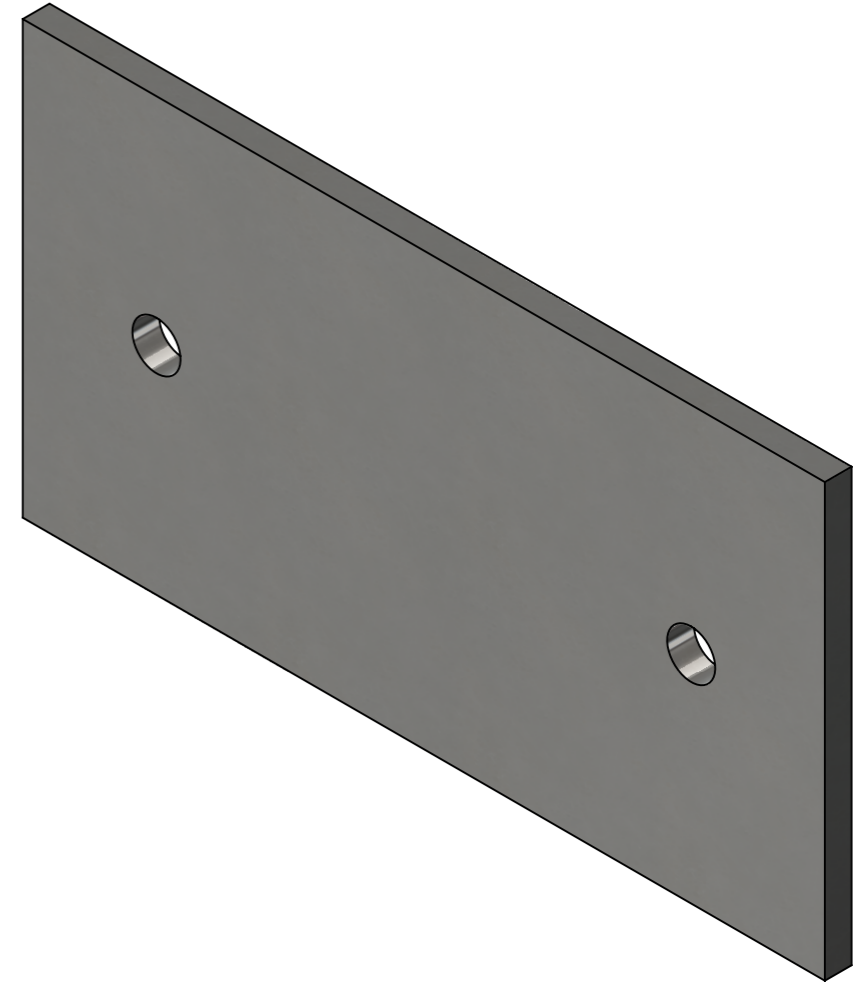
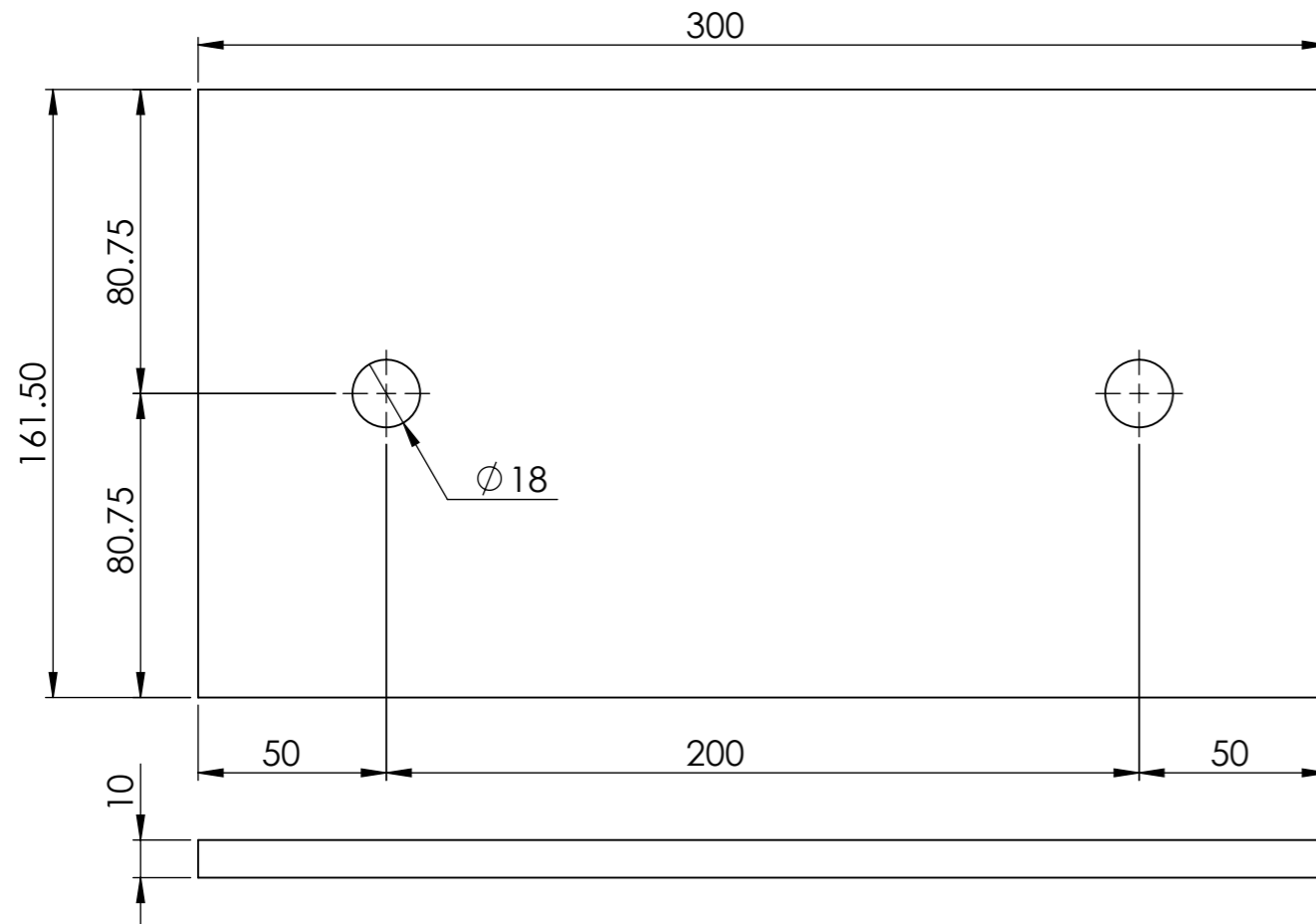
1 Required

Sheet Number		SHEET 15 OF 27	Approx Weight (Kg):			Revision:	
Cad Innovation Ltd.						Date:	
					Material:	Plain Carbon Steel	
					Qty:	N/A	
Designed/Drawn By	R Bennett						
Date Drawn	20 September 2022						
Finish	N/A						
Customer	David Morgan						
Project	Stair Set (23-8-22)						
Drawing	Bottom Spine Top Plate						
Part Configuration	Default						




CAD Innovation Ltd
Digitally Developing for the Engineered World

IF IN DOUBT ASK



1 Required

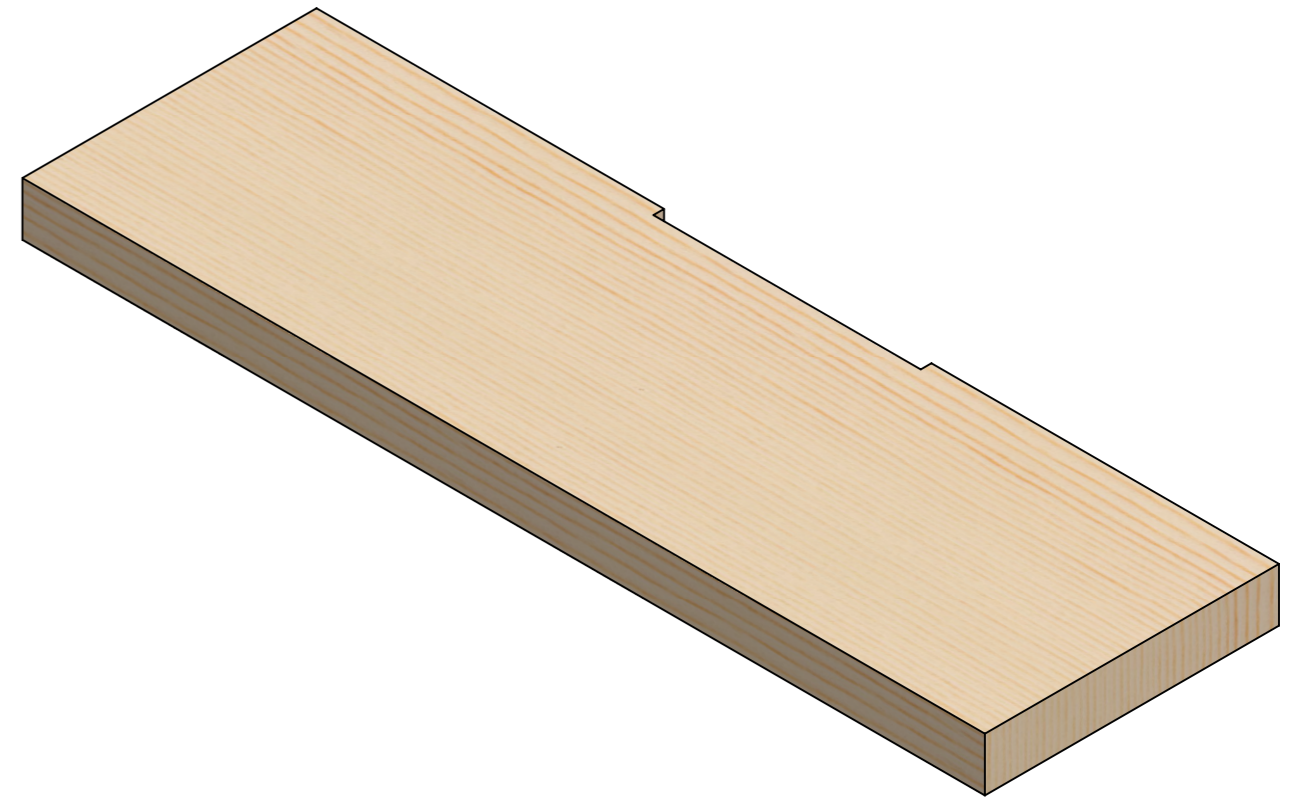
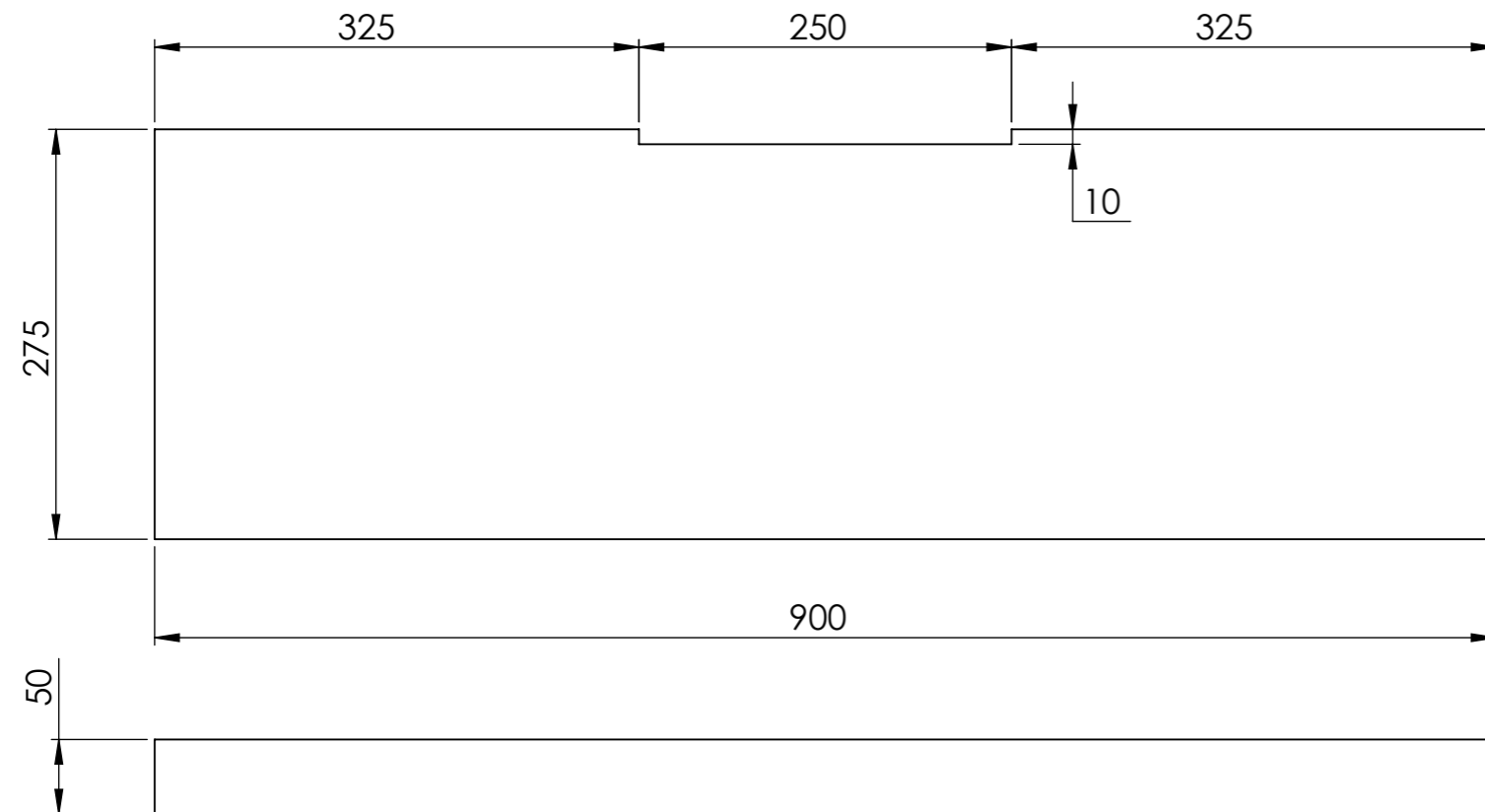
Sheet Number		SHEET 16 OF 27	Approx Weight (Kg):			Revision:	
Cad Innovation Ltd.						Date:	
					Material:	Plain Carbon Steel	
					Qty:	N/A	
Designed/Drawn By	R Bennett						
Date Drawn	20 September 2022						
Finish	N/A						
Customer	David Morgan						
Project	Stair Set (23-8-22)						
Drawing	Bottom Spine Bottom Plate						
Part Configuration	Default						



CAD Innovation Ltd
Digitally Developing for the Engineered World

IF IN DOUBT ASK

1 Required

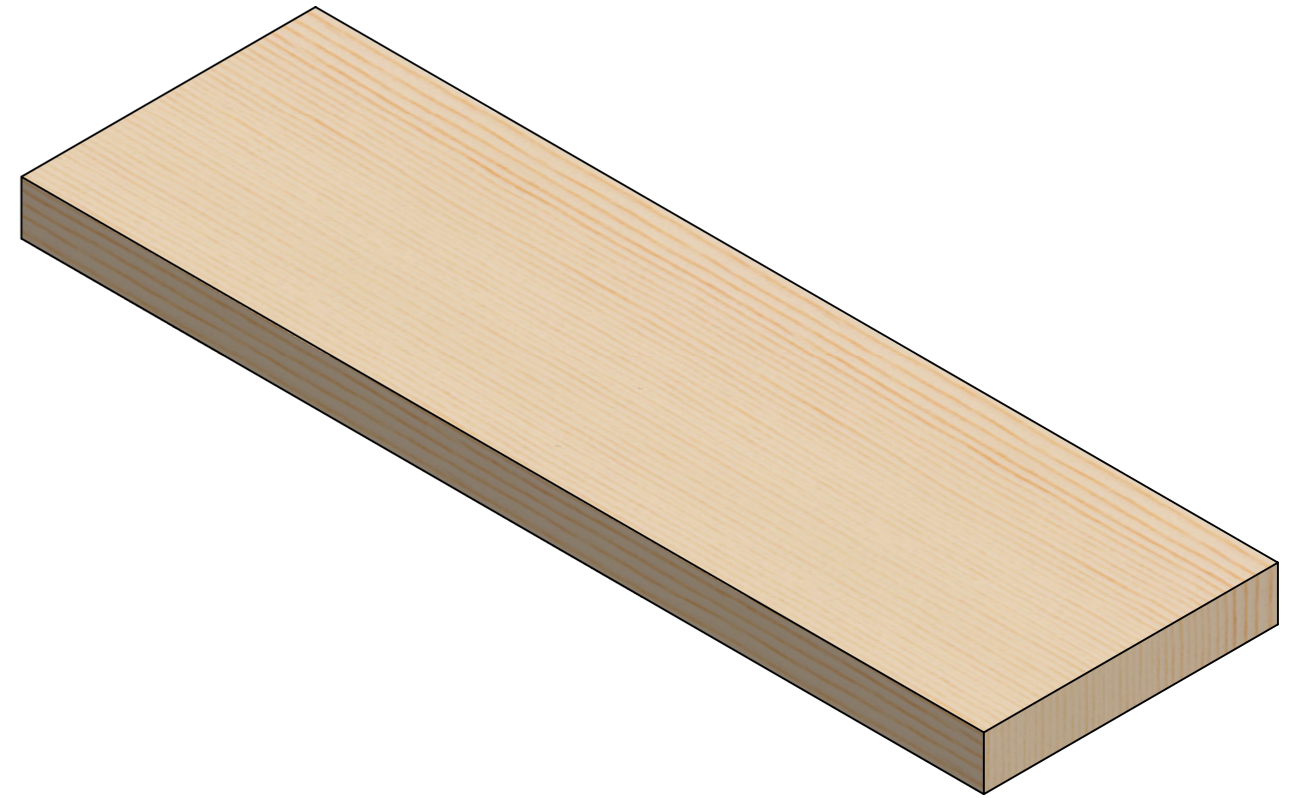
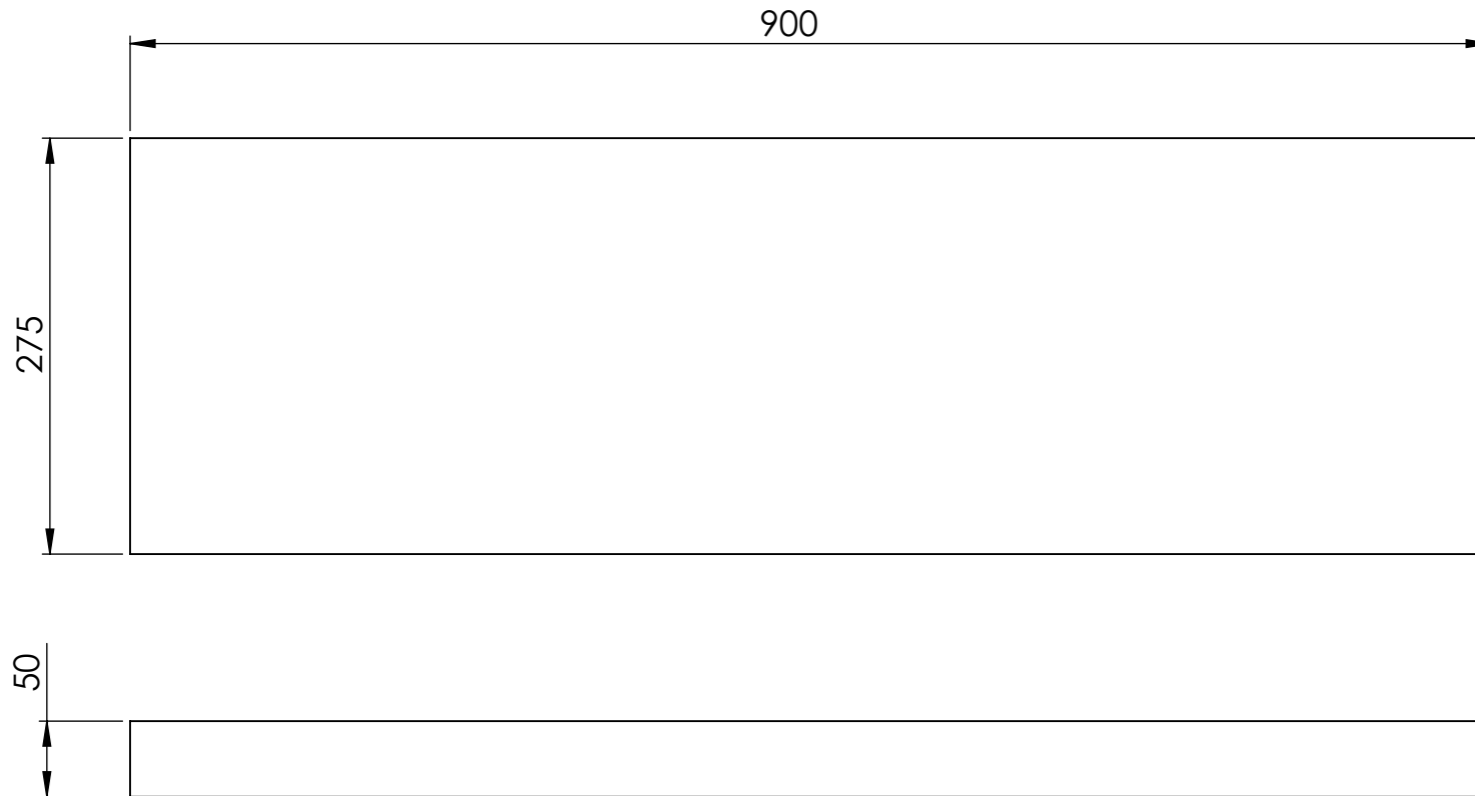


N.B. DIMENSIONS TO BE CHECKED FOLLOWING STAIR INSTALLATION PRIOR TO ORDERING SO AS TO SUIT FINAL INSTALLATION.

Sheet Number SHEET 17 OF 27		Approx Weight (Kg):		Revision:	
Cad Innovation Ltd.				Date:	
				Material:	Pine
Designed/Drawn By	R Bennett	Qty:	N/A	 CAD Innovation Ltd <small>Digitally Developing for the Engineered World</small>	
Date Drawn	20 September 2022				
Finish	N/A				
Customer	David Morgan				
Project	Stair Set (23-8-22)				
Drawing	Top Stair Tread				
Part Configuration	Default				

IF IN DOUBT ASK

11 Required



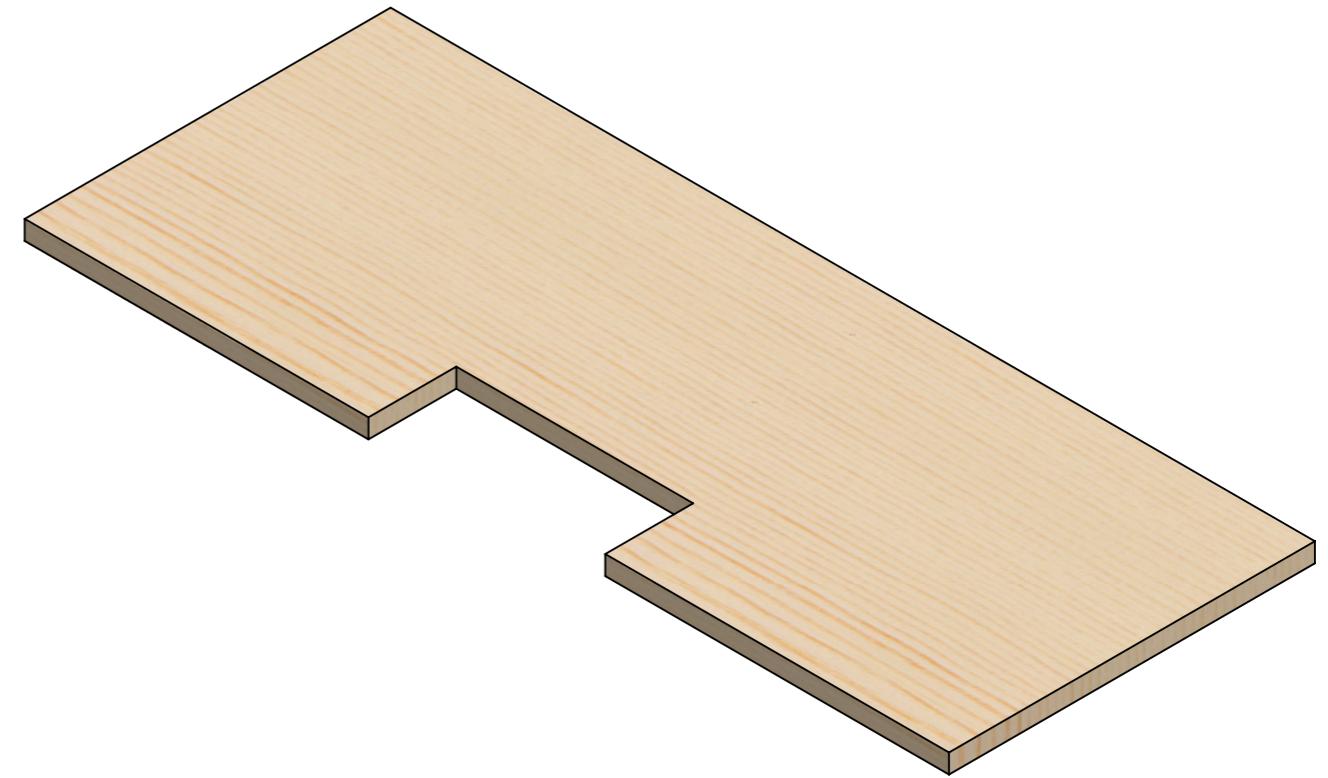
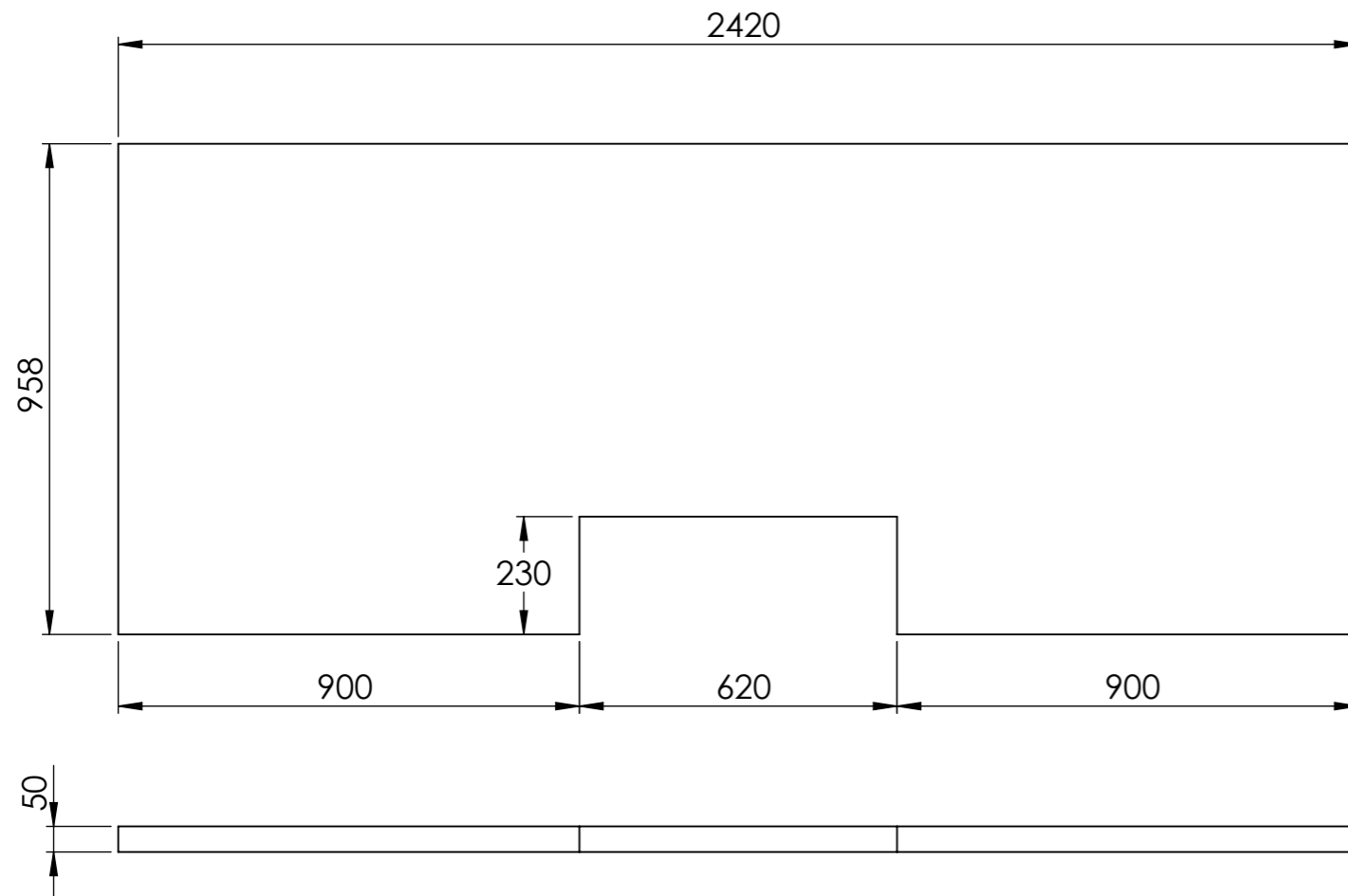
N.B. DIMENSIONS TO BE CHECKED FOLLOWING STAIR INSTALLATION PRIOR TO ORDERING SO AS TO SUIT FINAL INSTALLATION.

Sheet Number	SHEET 18 OF 27	Approx Weight (Kg):		Revision:	
Cad Innovation Ltd.			Material:	Pine	
			Qty:	N/A	
Designed/Drawn By	R Bennett				
Date Drawn	20 September 2022				
Finish	N/A				
Customer	David Morgan				
Project	Stair Set (23-8-22)				
Drawing	Standard Stair Tread				
Part Configuration	Default				




IF IN DOUBT ASK

1 Required



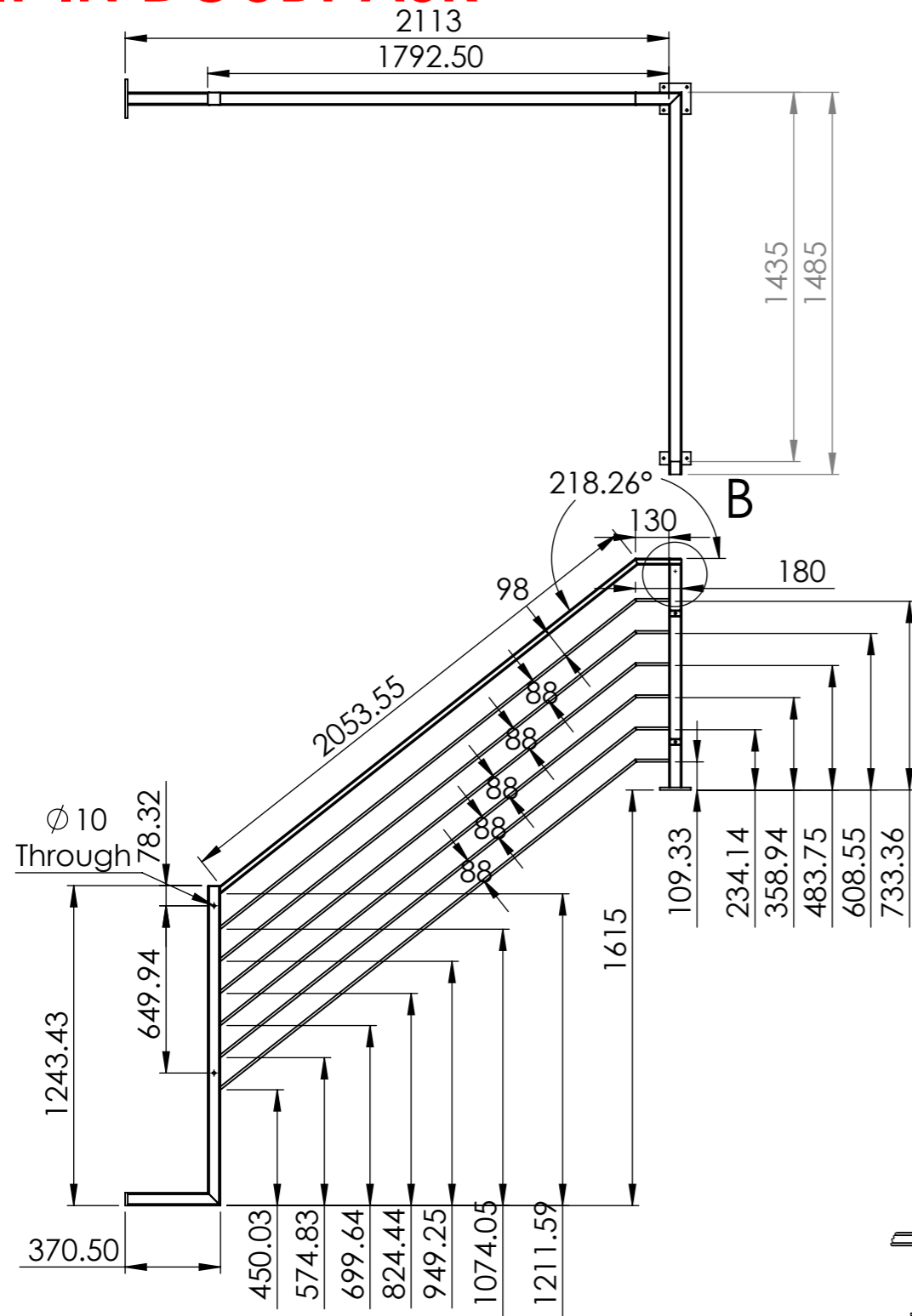
N.B. DIMENSIONS TO BE CHECKED FOLLOWING STAIR INSTALLATION PRIOR TO ORDERING SO AS TO SUIT FINAL INSTALLATION.

Sheet Number		SHEET 19 OF 27	Approx Weight (Kg):			Revision:	
Cad Innovation Ltd.						Date:	
						Material:	Pine
						Qty:	N/A
Designed/Drawn By	R Bennett						
Date Drawn	20 September 2022						
Finish	N/A						
Customer	David Morgan						
Project	Stair Set (23-8-22)						
Drawing	Landing Tread						
Part Configuration	Default						



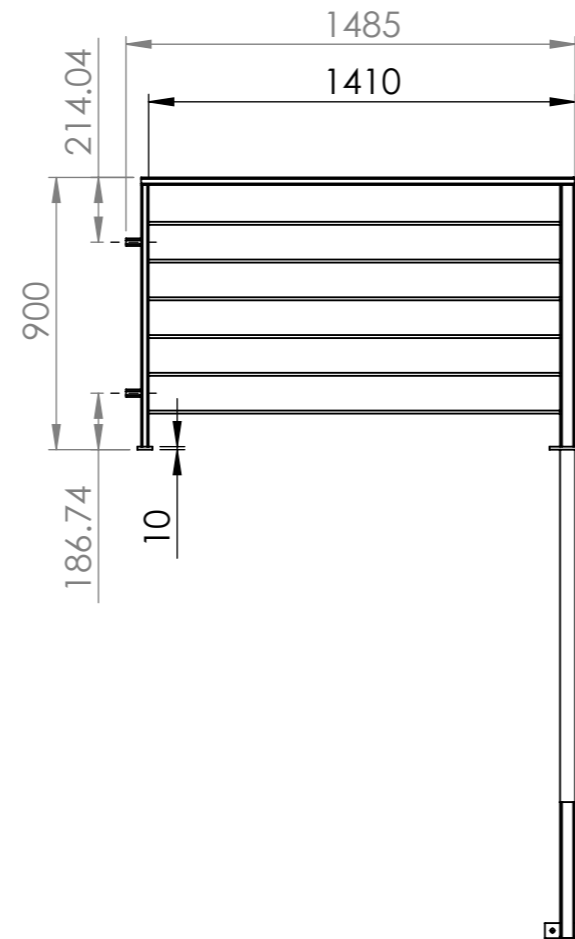
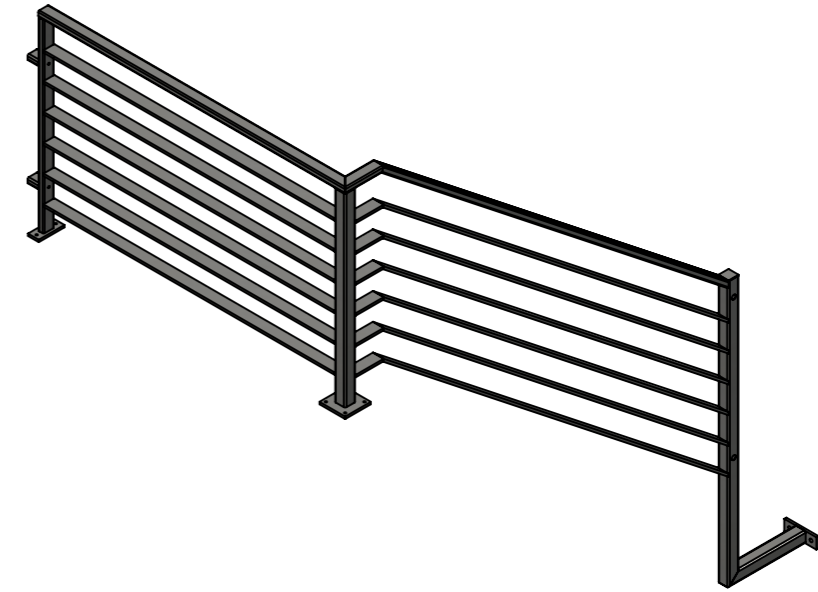
CAD Innovation Ltd
Digitally Developing for the Engineered World

IF IN DOUBT ASK




DETAIL B
SCALE 2 : 25

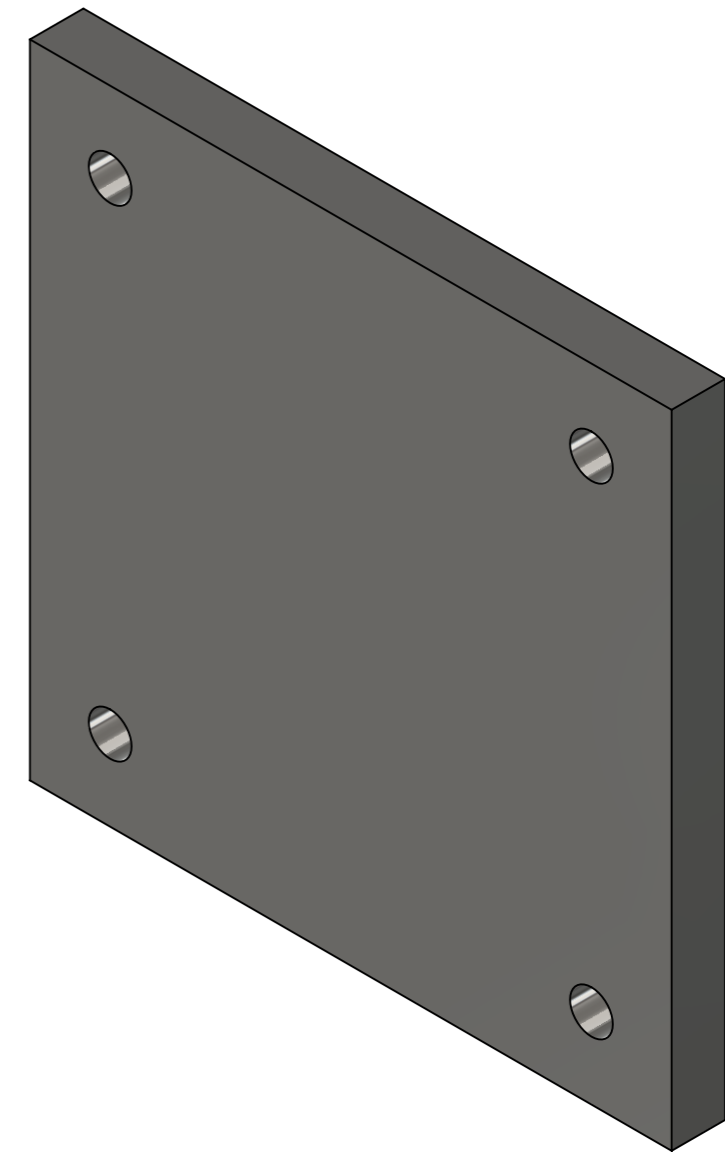
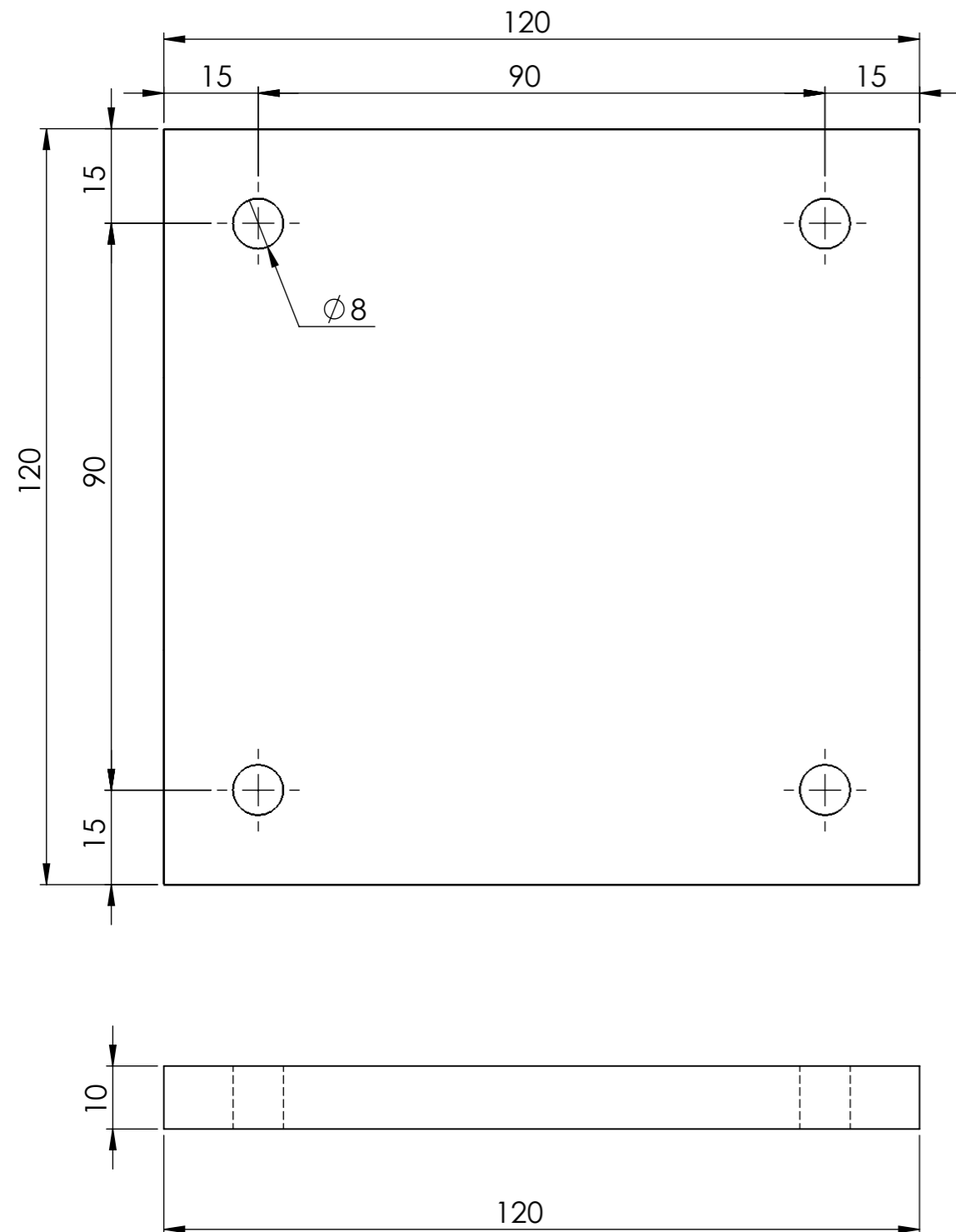
1 Required



ITEM NO.	QTY.	DESCRIPTION	LENGTH
1	1	SHS50x50x3.2	1240.43
2	1	RHS50x25x2.5	2073.26
3	1	SHS50x50x3.2	865
4	1	RHS50x25x2.5	180
5	6	RSF50x10	130
6	6	RSF50x10	2061.43
7	1	Handrail Base Plate Stair Top Landing	
8	1	RHS50x25x2.5	865
9	1	Handrail Base Plate Wall Top Landing	
10	1	RHS50x25x2.5	1435
11	6	RSF50x10	1360
12	1	SHS50x50x3.2	360.5
13	1	Top Landing Handrail Bottom Plate	
14	1	50mm box cap	
15	2	RHS50x25x3.2	50

Sheet Number	SHEET 20 OF 27	Approx Weight (Kg):		Revision:	
Cad Innovation Ltd.			Material:	Plain Carbon Steel	
			Qty:	N/A	
Designed/Drawn By	R Bennett		 CAD Innovation Ltd <small>Digitally Developing for the Engineered World</small>		
Date Drawn	20 September 2022				
Finish	N/A				
Customer	David Morgan				
Project	Stair Set (23-8-22)				
Drawing	Upper Flight Handrail				
Part Configuration	Default<As Machined>				

IF IN DOUBT ASK

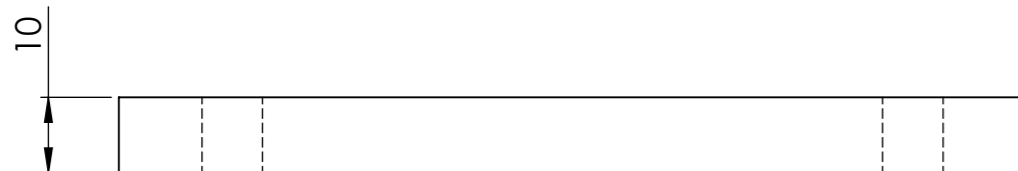
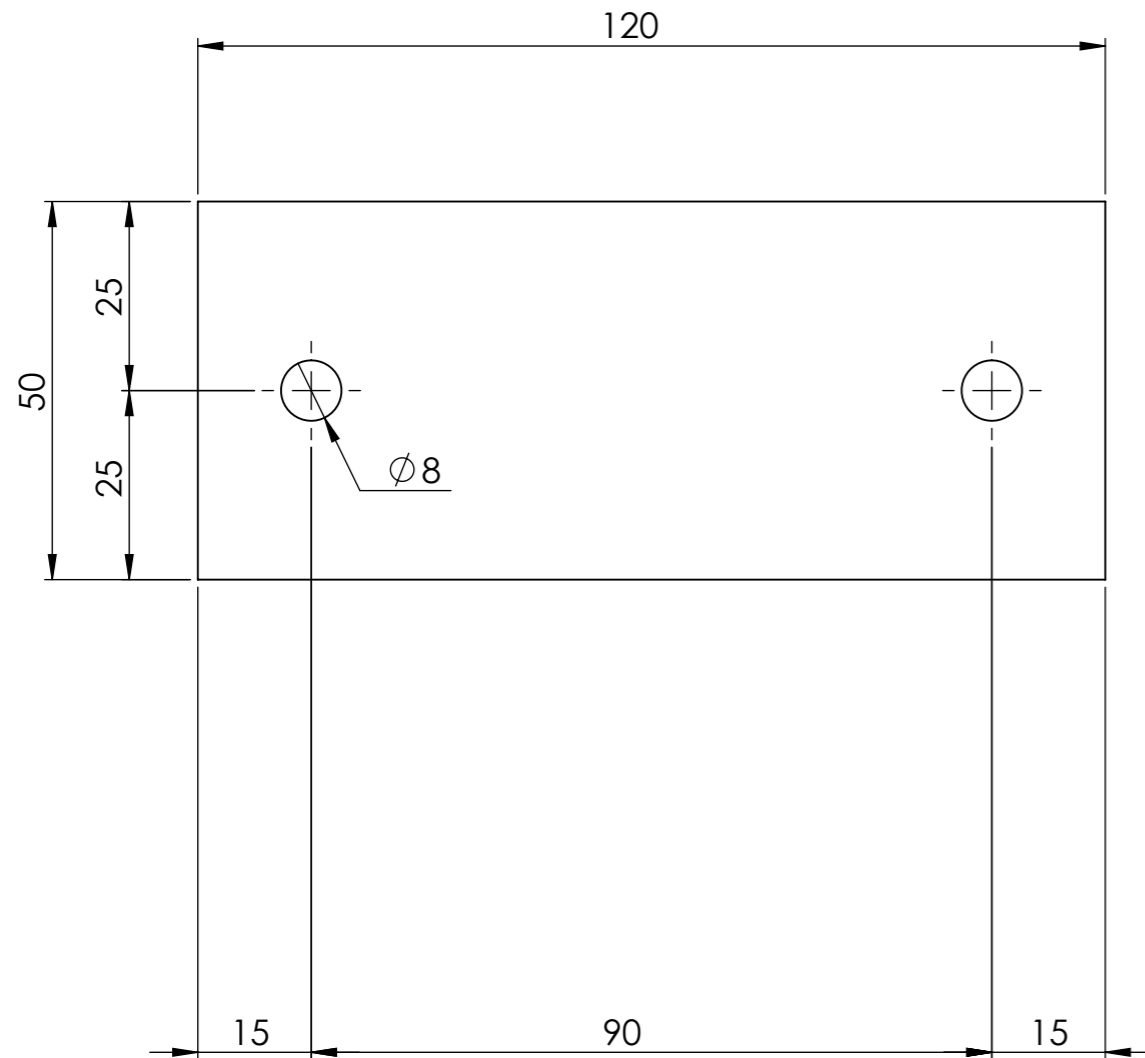


1 Required

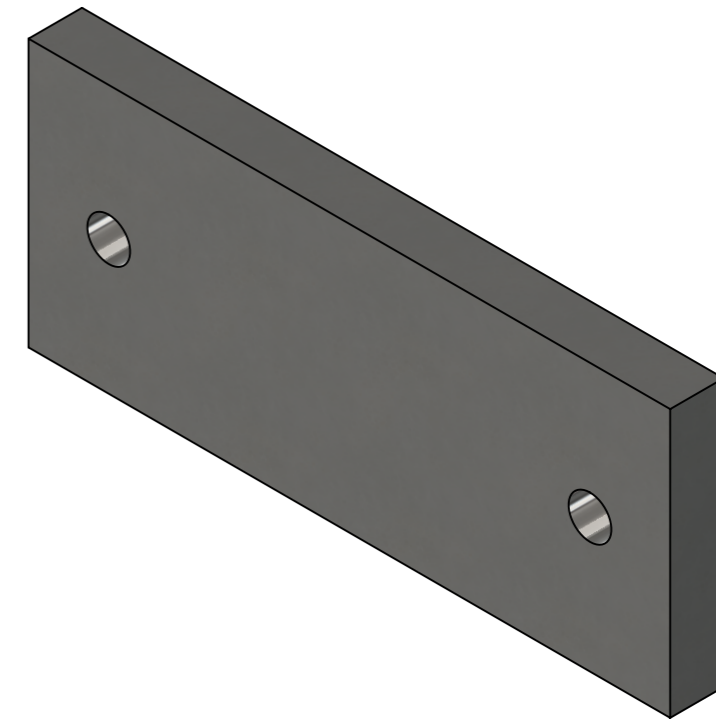
Sheet Number	SHEET 21 OF 27	Approx Weight (Kg):		Revision:	
Cad Innovation Ltd.			Material:	Plain Carbon Steel	
			Qty:	N/A	
Designed/Drawn By	R Bennett				
Date Drawn	20 September 2022				
Finish	N/A				
Customer	David Morgan				
Project	Stair Set (23-8-22)				
Drawing	Stair Top Handrail Landing Base Plate				
Part Configuration	Default				




IF IN DOUBT ASK

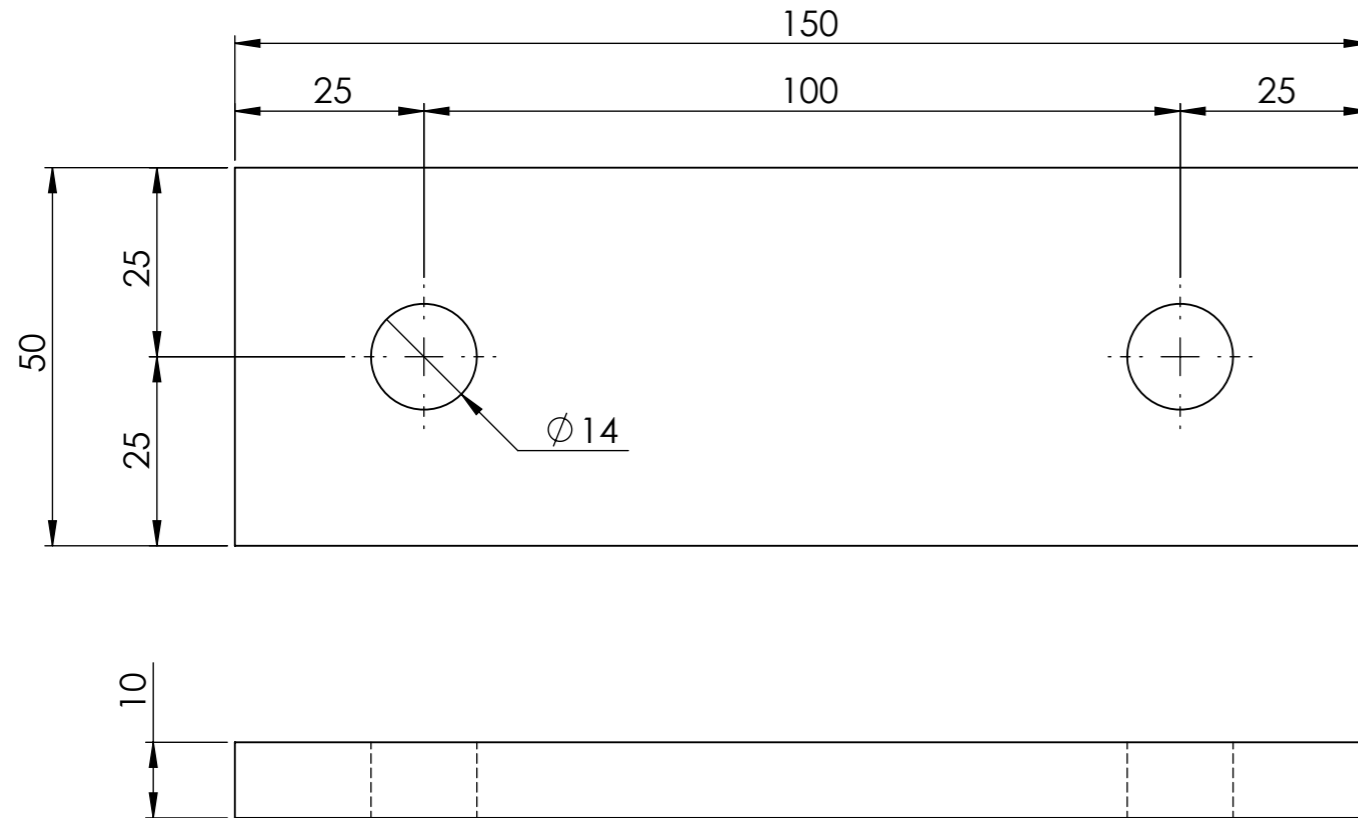
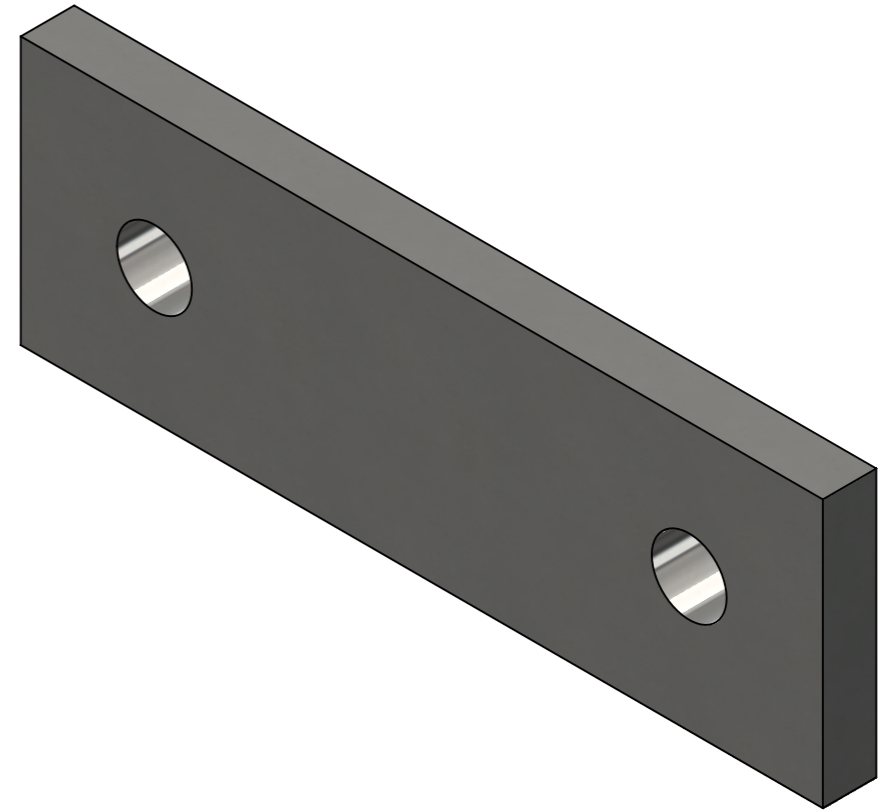


1 Required



Sheet Number SHEET 22 OF 27		Approx Weight (Kg):		Revision:	
Cad Innovation Ltd.				Date:	
				Material:	Plain Carbon Steel
				Qty:	N/A
Designed/Drawn By	R Bennett			 CAD Innovation Ltd <small>Digitally Developing for the Engineered World</small>	
Date Drawn	20 September 2022				
Finish	N/A				
Customer	David Morgan				
Project	Stair Set (23-8-22)				
Drawing	Handrail Base Plate Wall Top Landing				
Part Configuration	Default				

IF IN DOUBT ASK

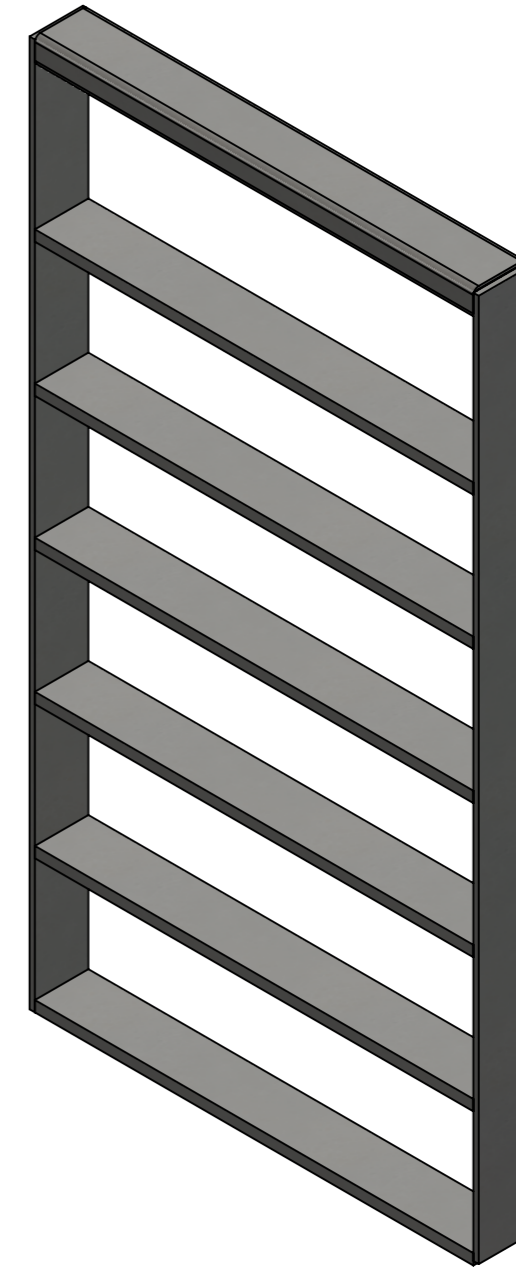
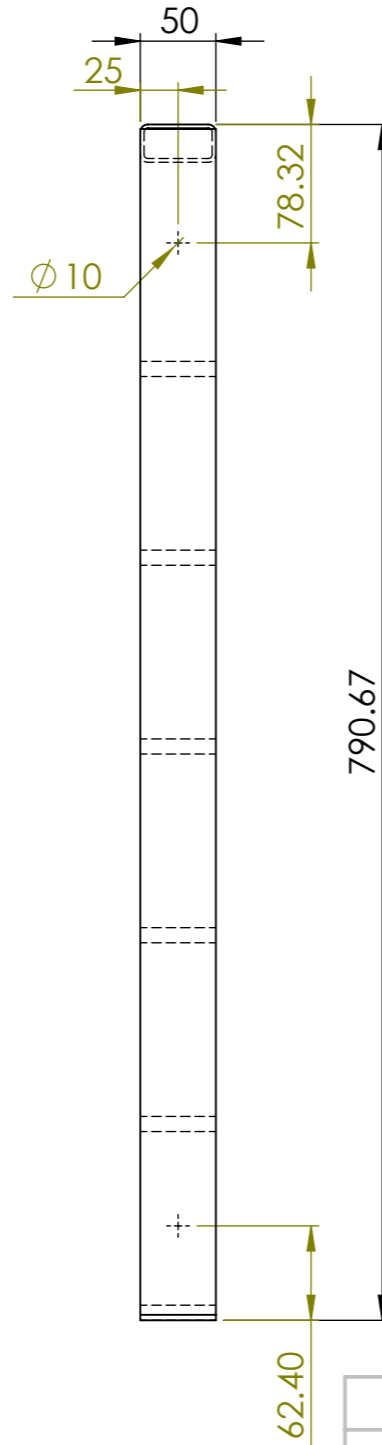
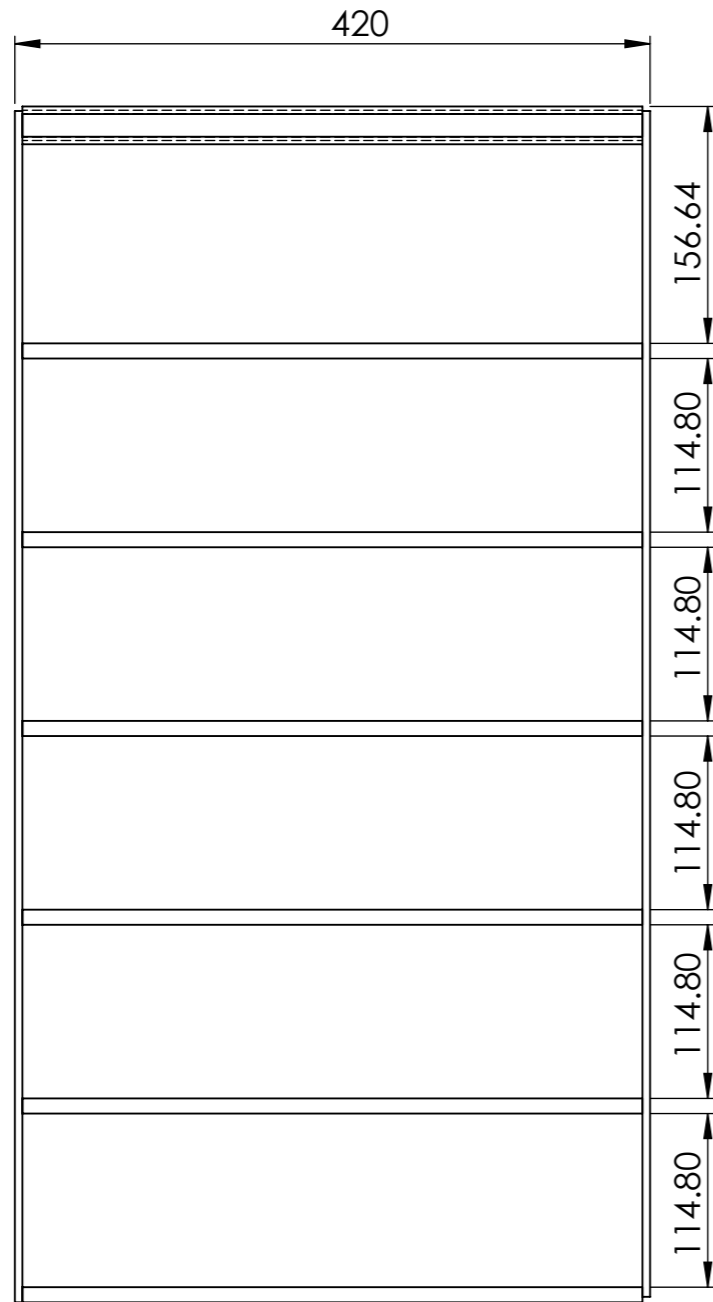


1 Required

Sheet Number SHEET 23 OF 27		Approx Weight (Kg):		Revision:	
Cad Innovation Ltd.				Date:	
				Material:	Plain Carbon Steel
				Qty:	N/A
Designed/Drawn By	R Bennett				
Date Drawn	20 September 2022				
Finish	N/A				
Customer	David Morgan				
Project	Stair Set (23-8-22)				
Drawing	Top Landing Handrail Bottom Plate				
Part Configuration	Default				



IF IN DOUBT ASK



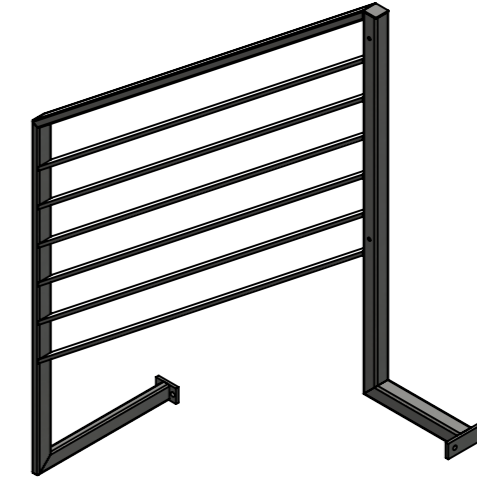
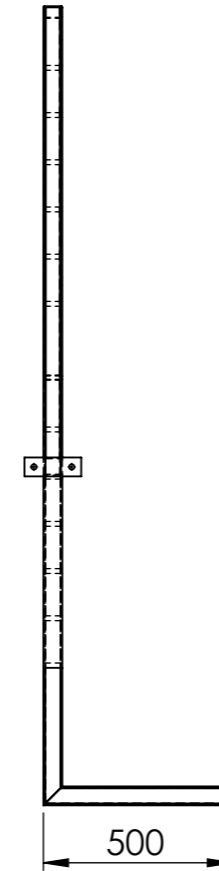
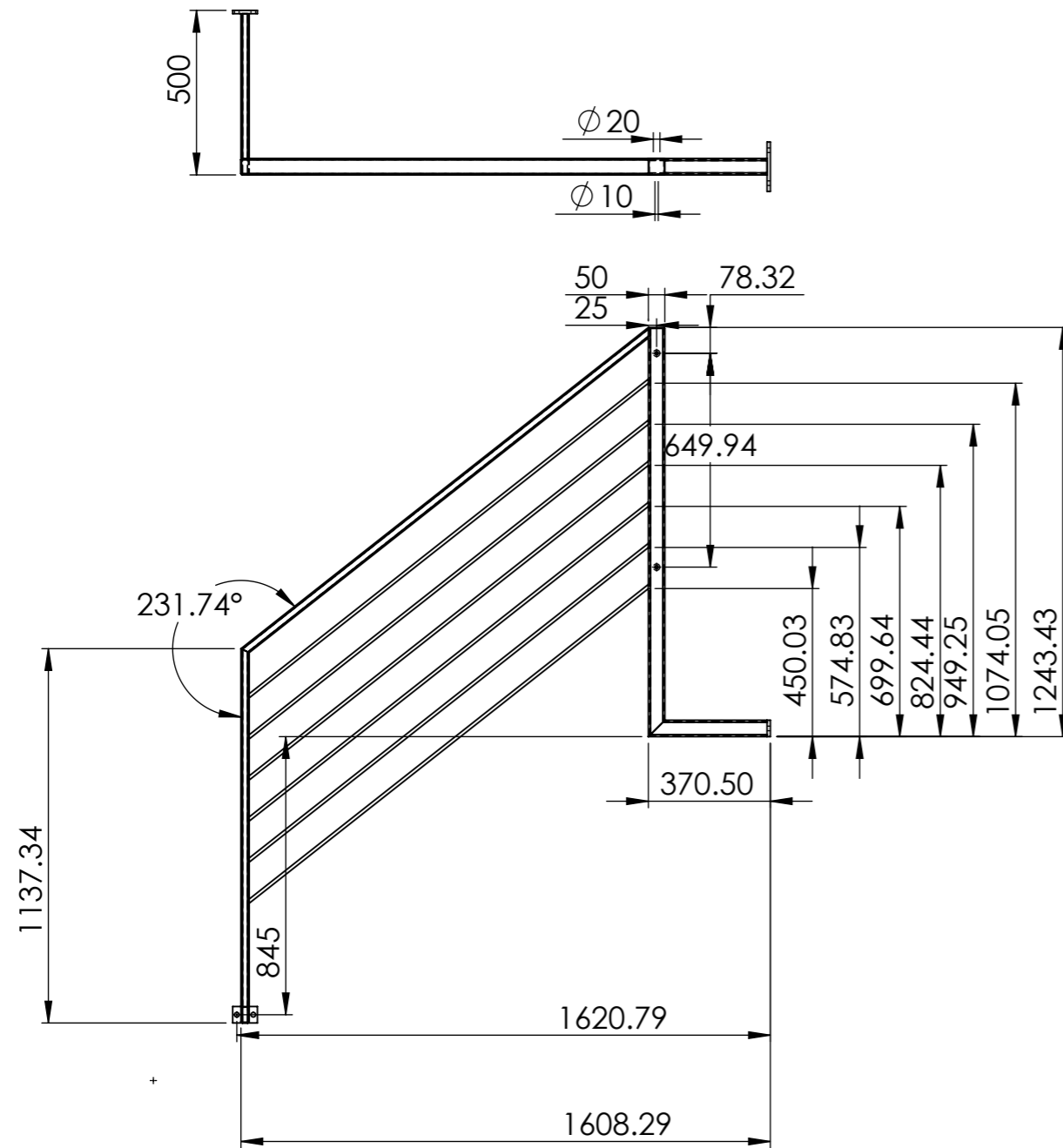
1 Required

ITEM NO.	QTY.	DESCRIPTION	LENGTH
1	1	RSF50x5	784.03
2	1	RHS50x25x2.5	410
3	6	RSF50x10	410
4	1	RSF50x5	787.66

Sheet Number	SHEET 24 OF 27	Approx Weight (Kg):		Revision:	
Cad Innovation Ltd.			Material:	Plain Carbon Steel	
			Qty:	N/A	
Designed/Drawn By	R Bennett				
Date Drawn	20 September 2022				
Finish	N/A				
Customer	David Morgan				
Project	Stair Set (23-8-22)				
Drawing	Landing Handrail				
Part Configuration	Default<As Machined>				



IF IN DOUBT ASK



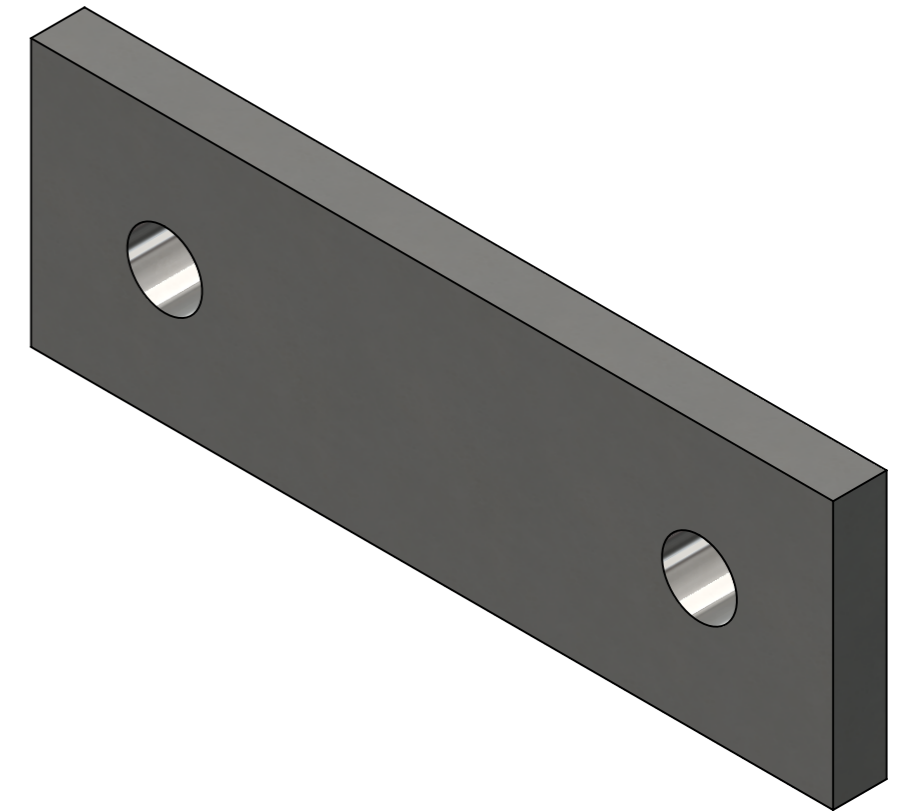
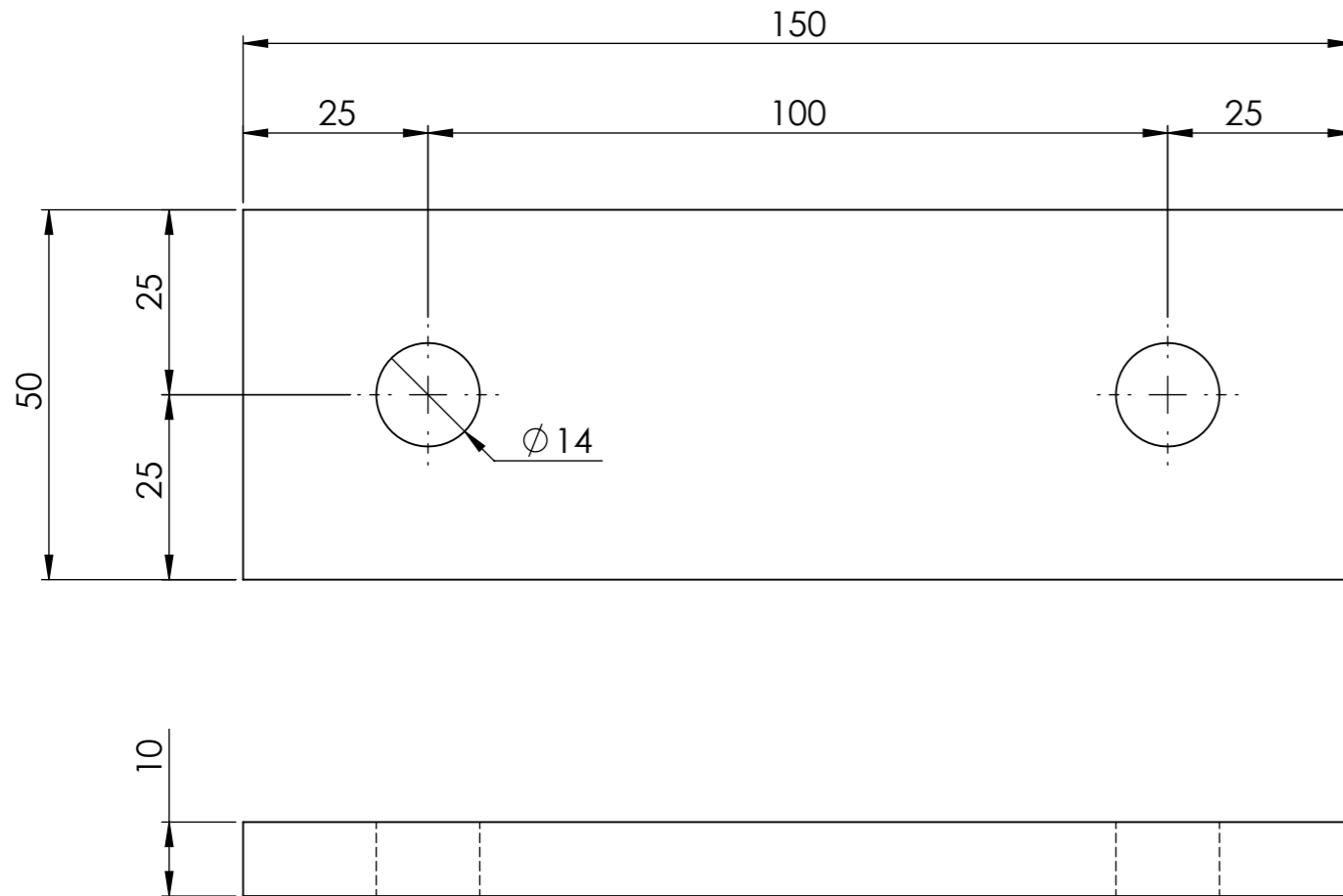
1 Required

ITEM NO.	QTY.	DESCRIPTION	LENGTH
1	1	SHS50x50x3.2	1240.43
2	1	RHS50x25x2.5	1137.34
3	1	RHS50x25x2	1576.35
4	6	RSF50x10	1552.39
5	1	50mm box cap	
6	1	RHS50x25x2.5	490
7	1	SHS50x50x3.2	360.5
8	1	Bottom Hanrail Top Mount Plate	
9	1	Bottom Handrail Bottom Mount Plate	

Sheet Number	SHEET 25 OF 27	Approx Weight (Kg):		Revision:	
Cad Innovation Ltd.			Material:	Plain Carbon Steel	
			Qty:	N/A	
Designed/Drawn By	R Bennett		Date:		
Date Drawn	20 September 2022				
Finish	N/A				
Customer	David Morgan				
Project	Stair Set (23-8-22)				
Drawing	Lower Flight Handrail				
Part Configuration	Default<As Machined>				



IF IN DOUBT ASK

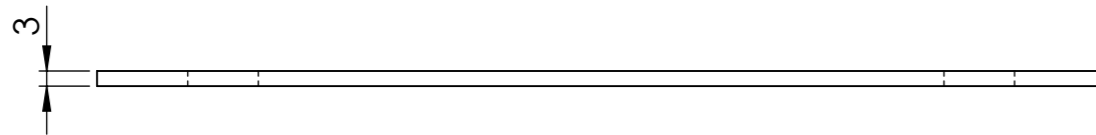
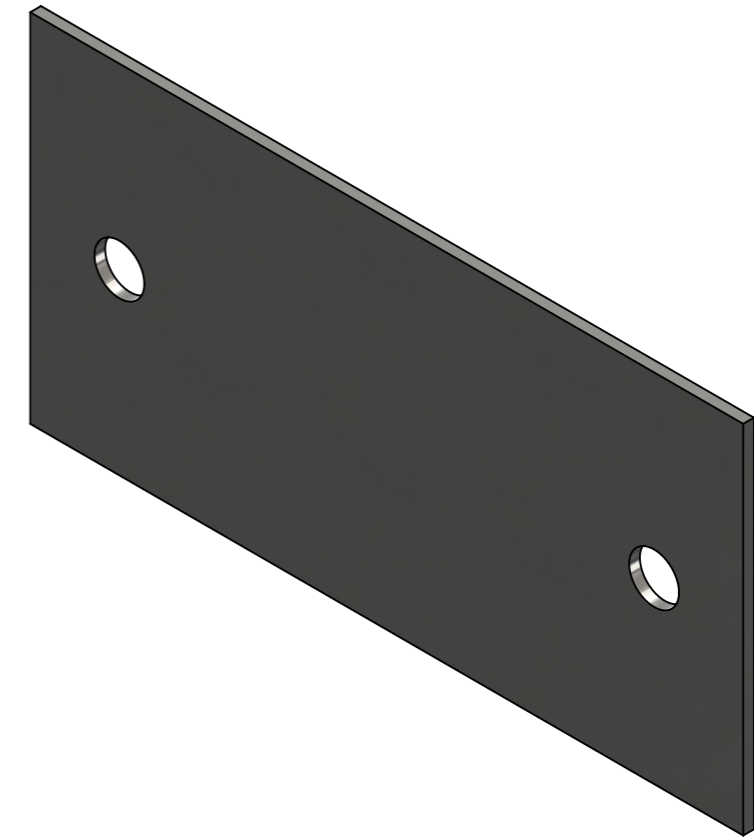
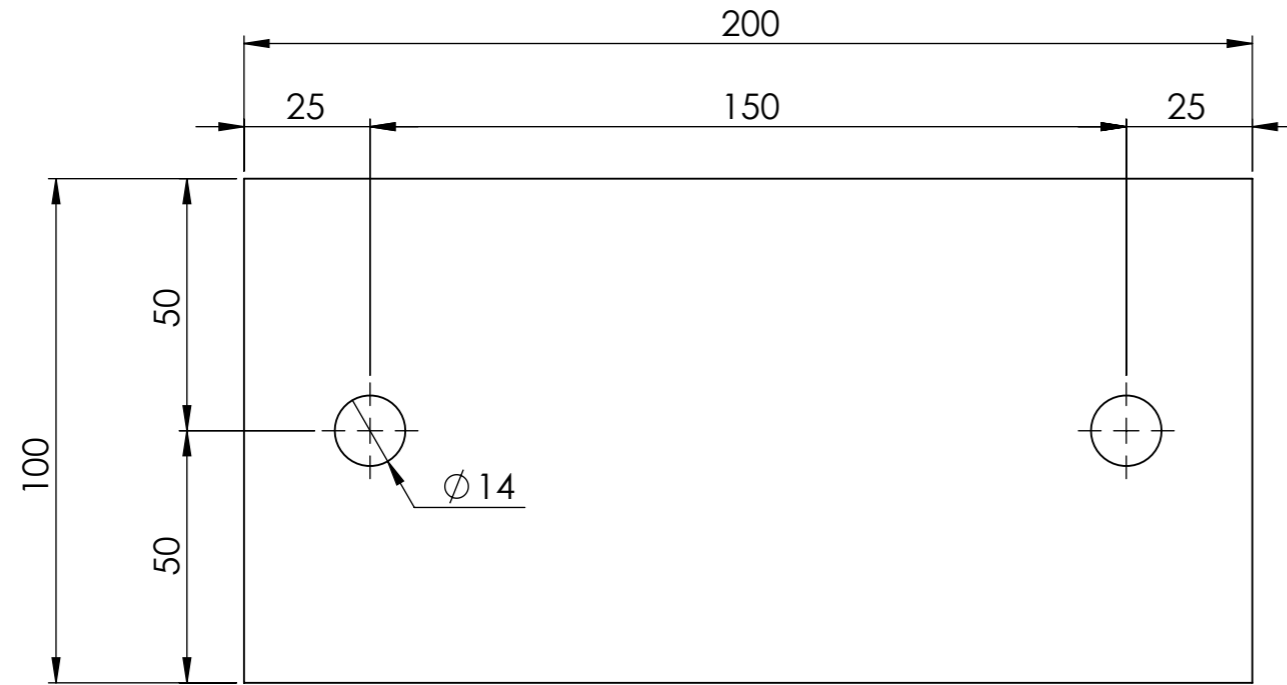


1 Required

Sheet Number SHEET 26 OF 27		Approx Weight (Kg):		Revision:	
Cad Innovation Ltd.				Date:	
				Material:	Plain Carbon Steel
				Qty:	N/A
Designed/Drawn By	R Bennett				
Date Drawn	20 September 2022				
Finish	N/A				
Customer	David Morgan				
Project	Stair Set (23-8-22)				
Drawing	Bottom Handrail Top Mount Plate				
Part Configuration	Default				



IF IN DOUBT ASK



4 Required

Sheet Number		SHEET 27 OF 27	Approx Weight (Kg):			Revision:	
Material:		Cad Innovation Ltd.				Plain Carbon Steel	
Qty:						N/A	
Designed/Drawn By	R Bennett						
Date Drawn	20 September 2022						
Finish	N/A						
Customer	David Morgan						
Project	Stair Set (23-8-22)						
Drawing	3mm Spine Packer						
Part Configuration	Default						

